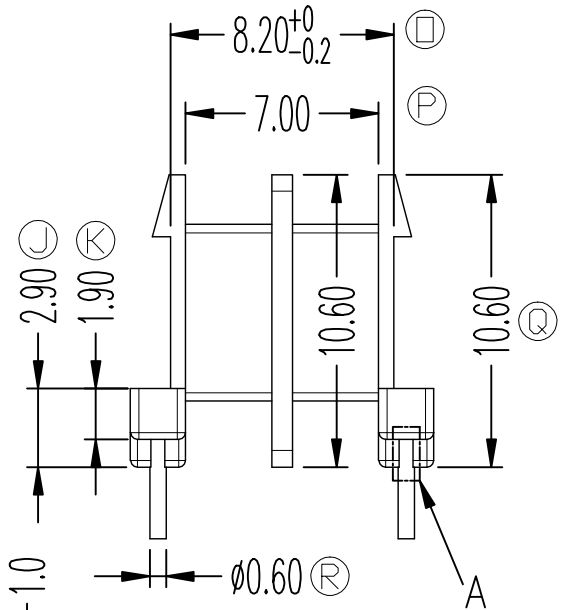
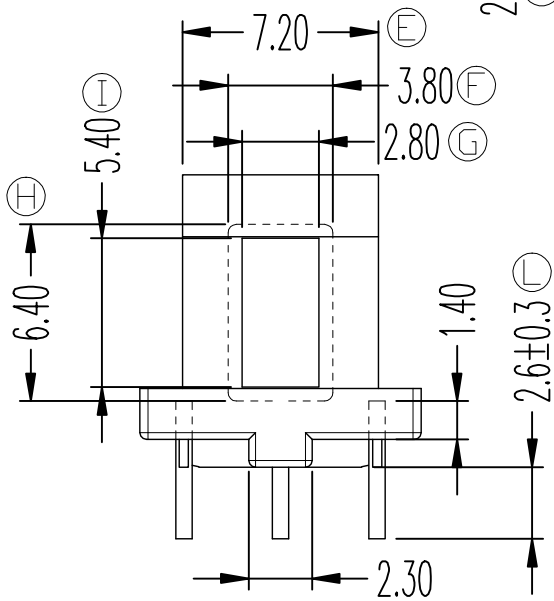
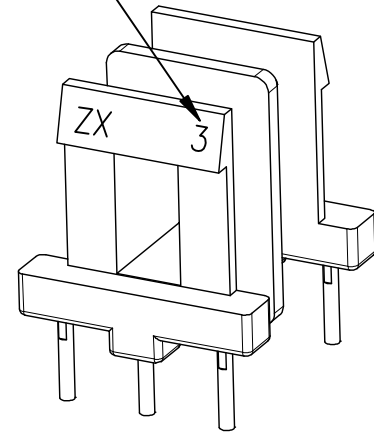
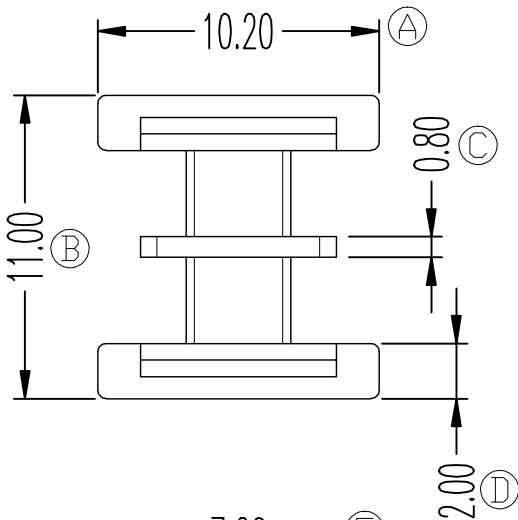
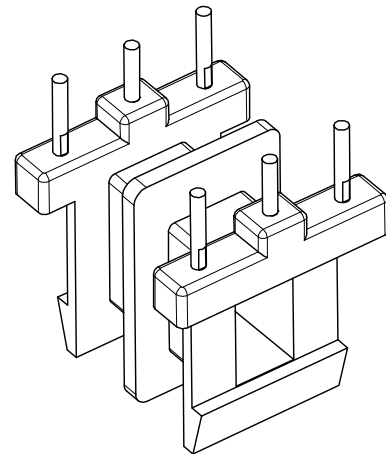
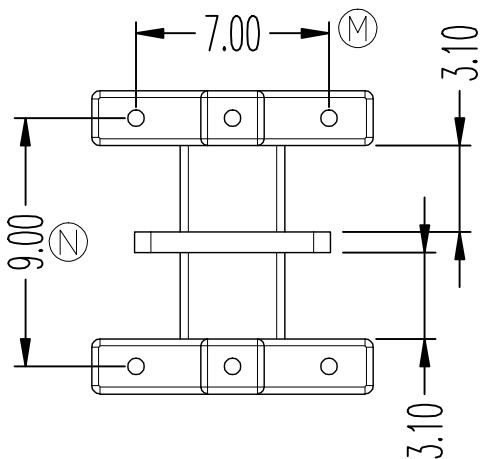
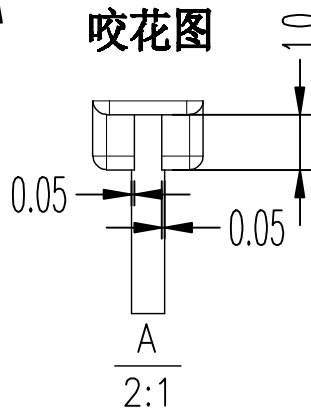


ZX-10AQ

模号



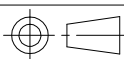
咬花图



REV.	REVISIONS	REC.	DATE	REV.	REVISIONS	REC.	DATE
1				4			
2				5			
3				6			
DRAWN & DRAFTED BY		LIU WEI QIANG		TOLERANCES		ANGLE:	
CHECKED & APPROVED BY		LIN JUN		0 < L ≤ 4 ±0.1		±1°	
				4 < L ≤ 16 ±0.2		UNIT:	
				16 < L ≤ 63 ±0.3		MM	
				SCALE:		TITLE:	
						EE-10(3+3P)	
				BOBBIN MATERIAL:		UL REC.	
				PHENOLIC		UL 94V-0	
				PIN MATERIAL:		PIN TENSION LOAD:	
				CP WIRE		1.0KG MIN	
				DATE:		DRAWING NO.	
				2021.01.05		ZX-10AQ	
						REV.	
						A01	



智信电子塑胶有限公司
 ZHI XIN ELECTRONICS PLASTIC CO., LTD.
 TEL:0769-86389901-2 FAX:0769-86389903



DATE: 2021.01.05

DRAWING NO. ZX-10AQ

REV. A01