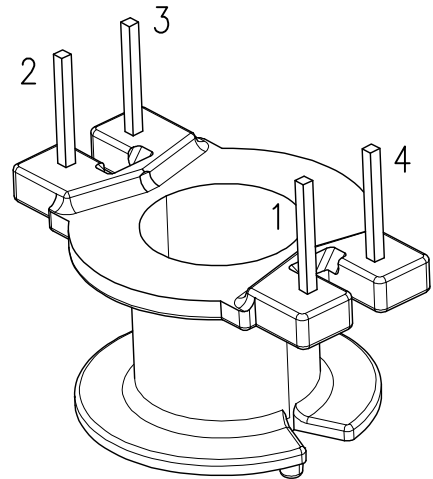
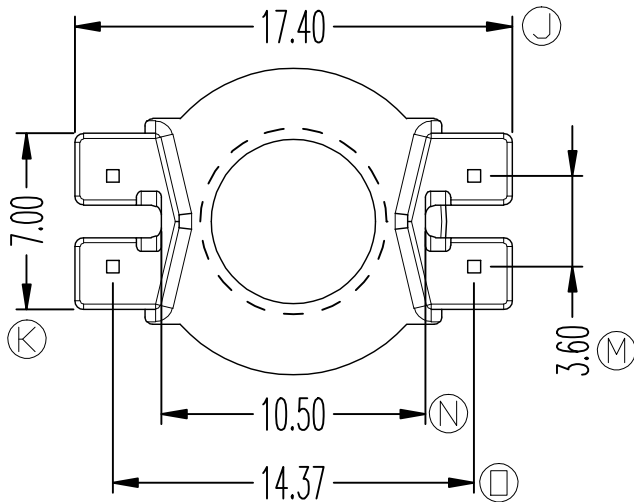
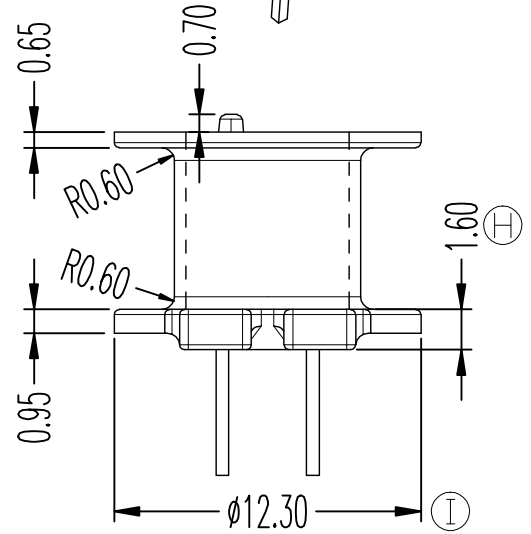
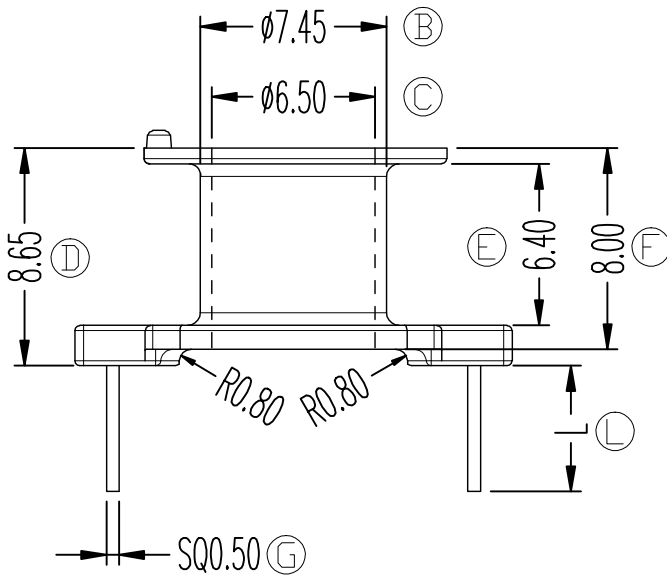
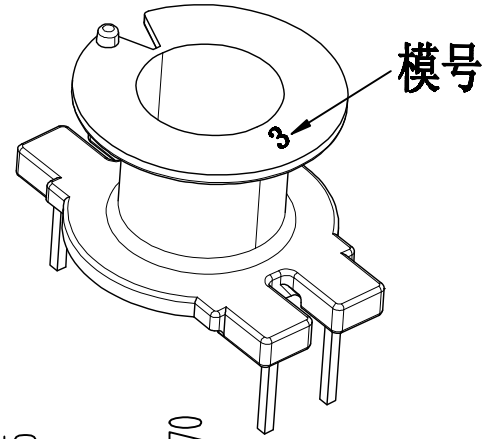
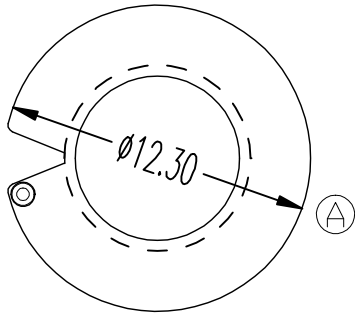


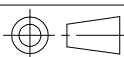
ZX-6Q



REV.	REVISIONS	REC.	DATE	REV.	REVISIONS	REC.	DATE
1				4			
2				5			
3				6			
DRAWN & DRAFTED BY		LIU WEI QIANG		TOLERANCES		ANGLE: $\pm 1^\circ$	
CHECKED & APPROVED BY		LIN JUN		0 < L ≤ 4 ±0.1		TITLE: RM-6(4P)	
				4 < L ≤ 16 ±0.2		BOBBIN MATERIAL: PM-9630	
				16 < L ≤ 63 ±0.3		UL REC. UL 94V-0	
				UNIT: MM		PIN MATERIAL: CP WIRE	
				SCALE:		PIN TENSION LOAD: 0.8KG MIN	
				DATE: 2021.05.07		DRAWING NO. ZX-6Q	
						REV. A01	



智信电子塑胶有限公司
ZHI XIN ELECTRONICS PLASTIC CO., LTD.
 TEL:0769-86389901-2 FAX:0769-86389903



DATE: 2021.05.07

DRAWING NO.

ZX-6Q

REV. A01