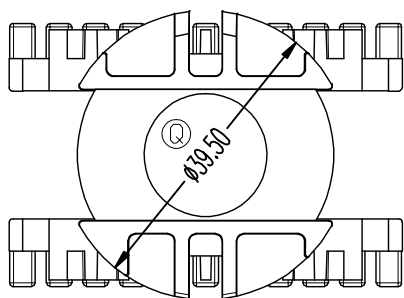
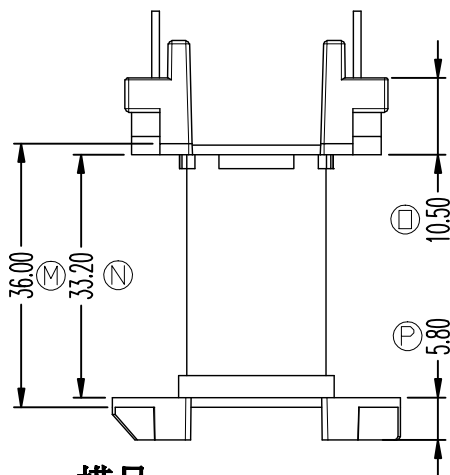
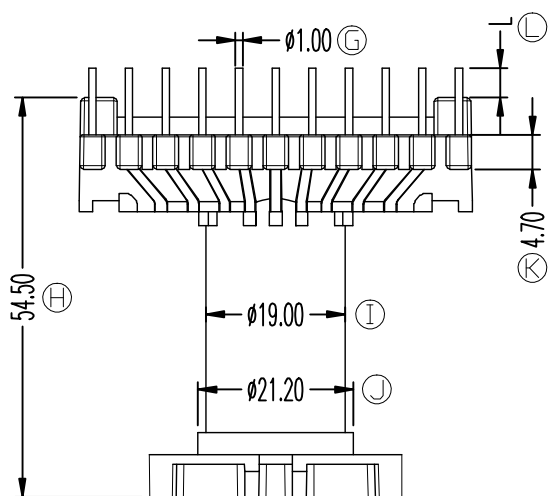
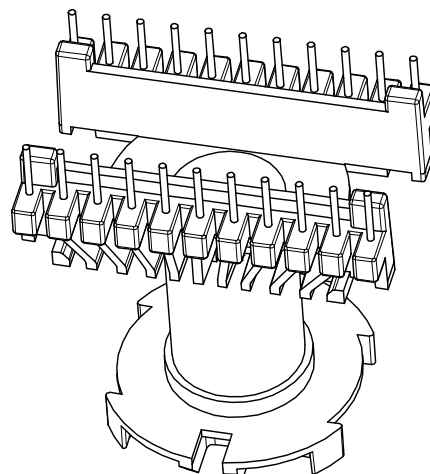
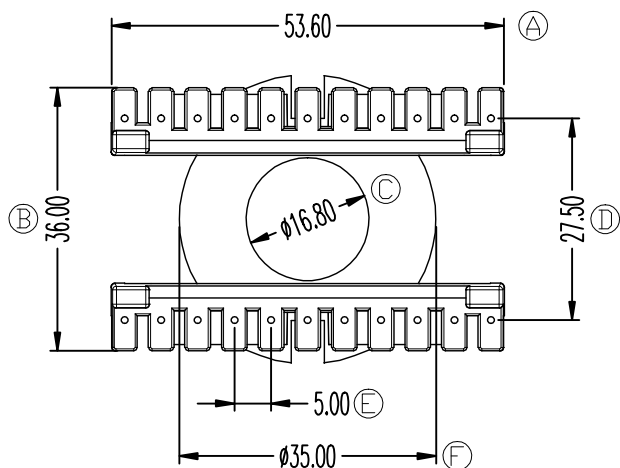
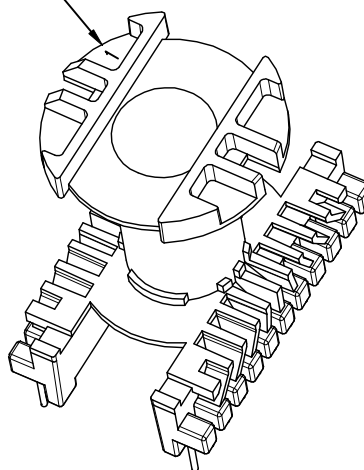


ZX-49G



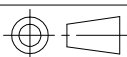
模号



REV.	REVISIONS	REC.	DATE	REV.	REVISIONS	REC.	DATE
1				4			
2				5			
3				6			
DRAWN & DRAFTED BY		LIU WEI QIANG		TOLERANCES		ANGLE: $\pm 1^\circ$	
CHECKED & APPROVED BY		LIN JUN		0 < L ≤ 4 ± 0.1		TITLE: ETD-49(11+11P)	
				4 < L ≤ 16 ± 0.2		BOBBIN MATERIAL: PHENOLIC	
				16 < L ≤ 63 ± 0.3		UL REC. UL 94V-0	
				UNIT: MM		PIN MATERIAL: CP WIRE	
				SCALE:		PIN TENSION LOAD: 1.5KG MIN	
				DATE: 2021.06.26		DRAWING NO. ZX-49G	
						REV. A01	



**智信电子塑胶有限公司**  
**ZHI XIN ELECTRONICS PLASTIC CO., LTD.**  
 TEL: 0769-86389901-2 FAX: 0769-86389903



DATE: 2021.06.26

DRAWING NO. ZX-49G

REV. A01