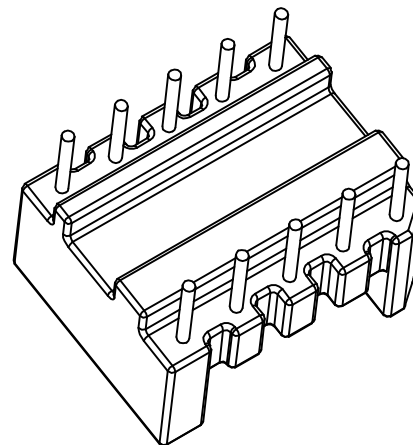
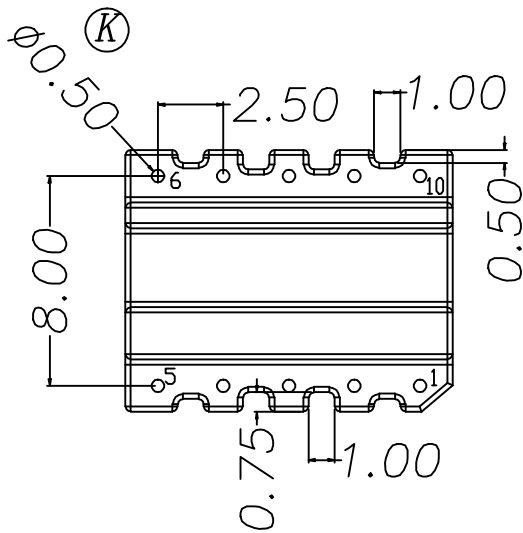
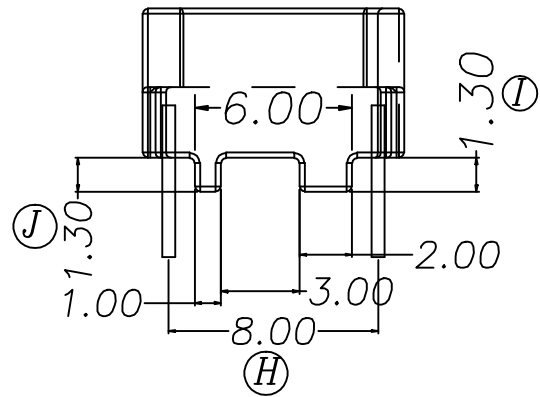
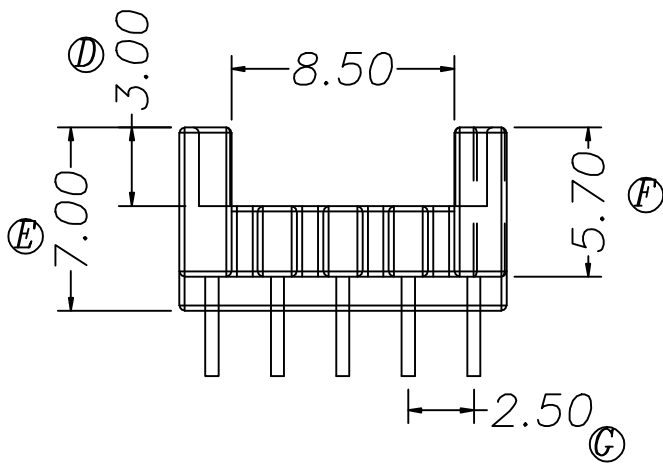
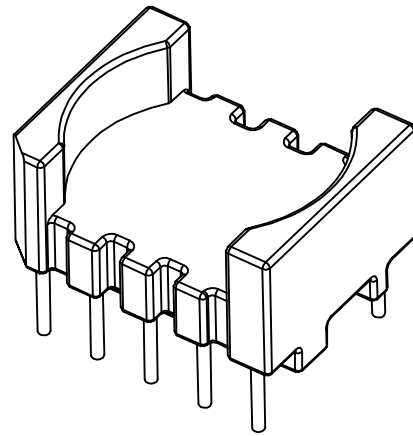
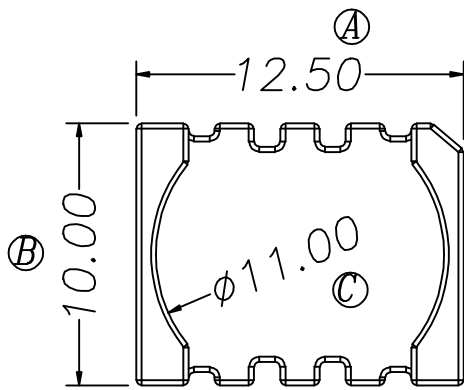


ZX-B080

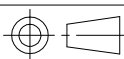


REV.	REVISIONS REC.		DATE	REV.	REVISIONS REC.		DATE
1				4			
2				5			
3				6			
DRAWN & DRAFTED BY		LIU WEI QIANG		TOLERANCES		ANGLE: $\pm 1^\circ$	
CHECKED & APPROVED BY		LI QI YI		pin pitch		UNIT: MM	
		0 < L ≤ 4 ±0.1		16 < L ≤ 63 ±0.3		TITLE: BASE(5+5P)	
		4 < L ≤ 16 ±0.2		±0.2		BOBBIN MATERIAL: PM9630	
						UL REC. UL 94V-0	
						PIN MATERIAL: CP WIRE	
						PIN TENSION LOAD: 0.7KG MIN	
				SCALE:		DATE: 2018.05.18	
				DRAWING NO.		ZX-B080	
				REV.		A01	



智信电子塑胶有限公司

ZHI XIN PLASTIC ELECTRONICS CO LTD
TEL:0769-86389901-2 FAX:0769-86389903



DATE: 2018.05.18

DRAWING NO. ZX-B080

REV. A01