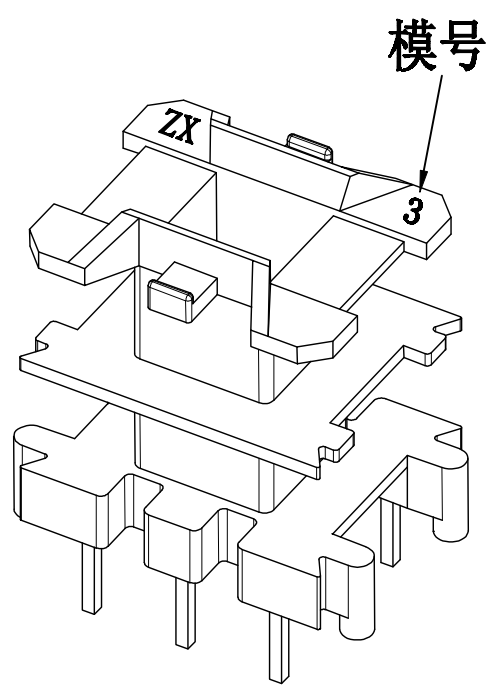
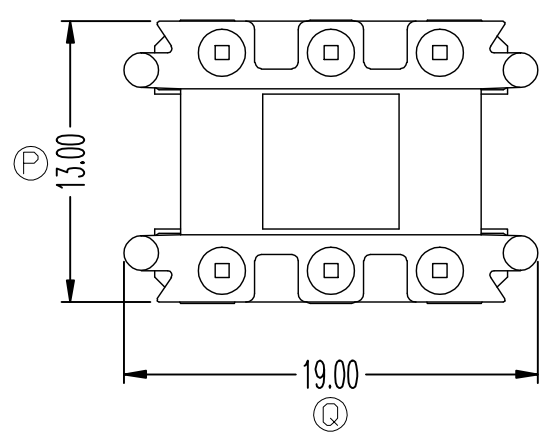
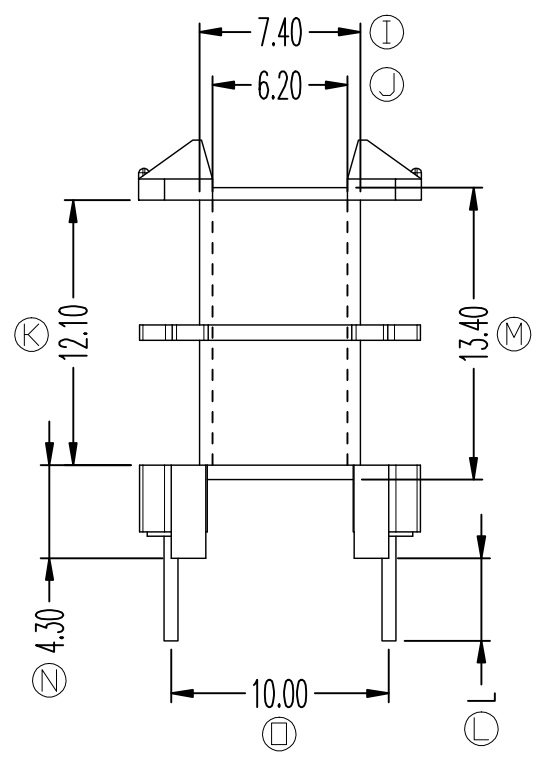
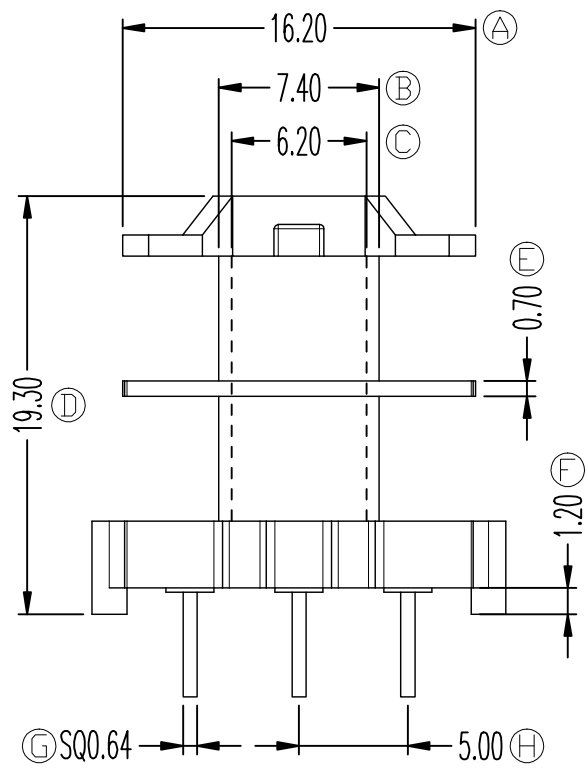


# ZX-20P6



REV.	REVISIONS	REC.	DATE	REV.	REVISIONS	REC.	DATE
1				4			
2				5			
3				6			
DRAWN & DRAFTED BY		LIU WEI QIANG		TOLERANCES		ANGLE: $\pm 1^\circ$	
CHECKED & APPROVED BY		LIN JUN		$0 < L \leq 4 \pm 0.1$ $4 < L \leq 16 \pm 0.2$ $16 < L \leq 63 \pm 0.3$		pin pitch $\pm 0.2$ UNIT: MM SCALE:	
<b>智信电子塑胶有限公司</b> <b>ZHI XIN ELECTRONICS PLASTIC CO., LTD.</b> TEL: 0769-86389901-2 FAX: 0769-86389903				TITLE: EF-20(3+3P) BOBBIN MATERIAL: PET FR530 PIN MATERIAL: CP WIRE DATE: 2021.07.19		UL REC. UL 94V-0 PIN TENSION LOAD: 1.0KG MIN DRAWING NO. ZX-20P6 REV. A01	