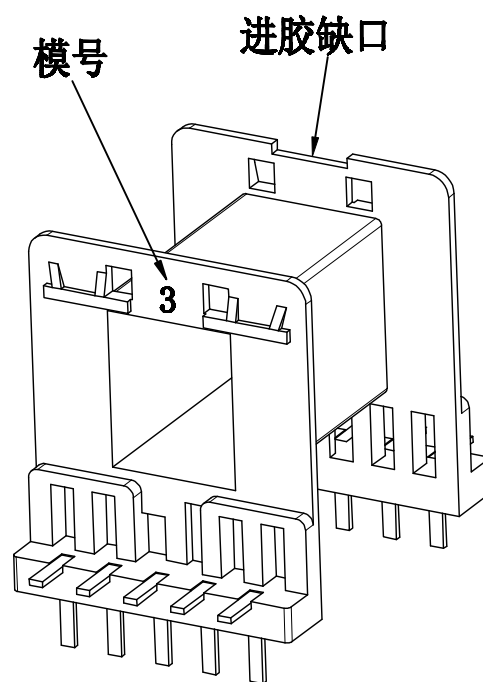
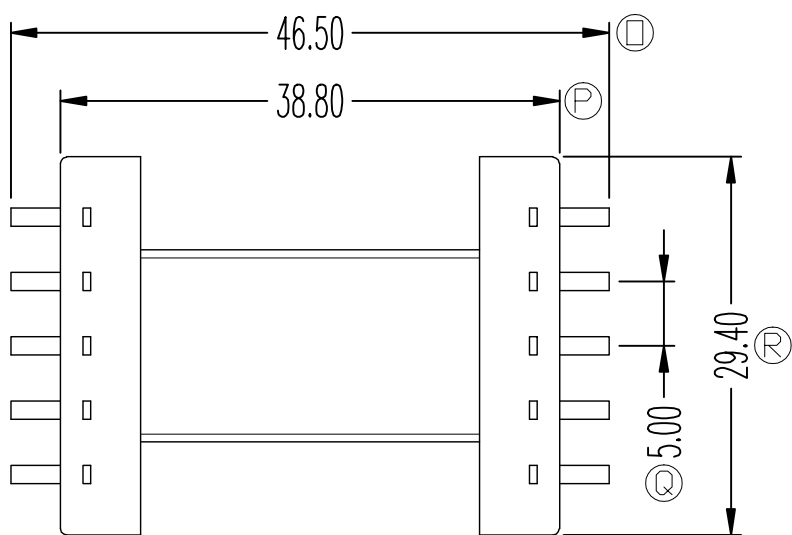
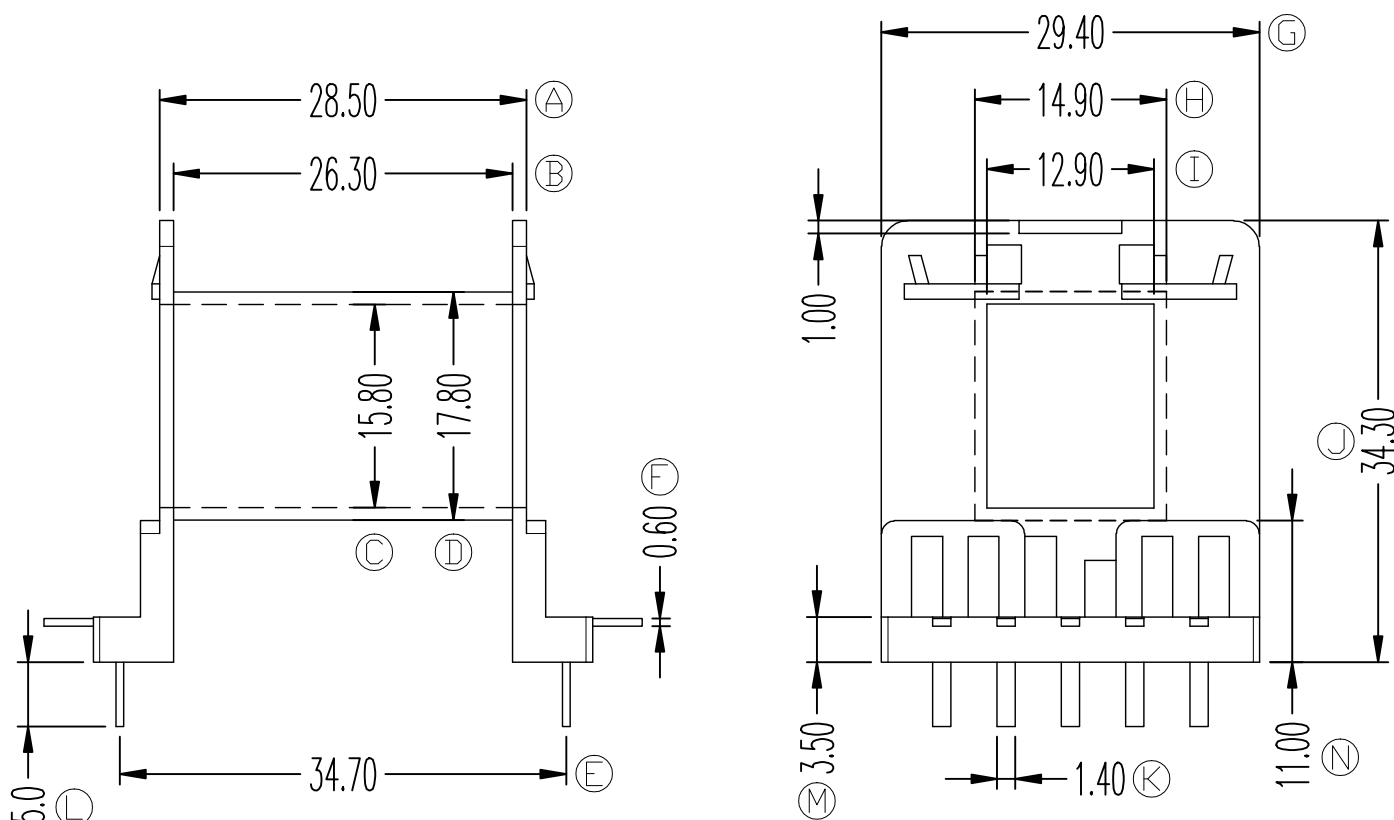


ZX-42X



REV.	REVISIONS	REC.	DATE	REV.	REVISIONS	REC.	DATE
1				4			
2				5			
3				6			
DRAWN & DRAFTED BY		LIU WEI QIANG	TOLERANCES		ANGLE:		TITLE:
CHECKED & APPROVED BY		LIN JUN	0 < L ≤ 4 ± 0.1		± 1°		EE-42(5+5P)
			4 < L ≤ 16 ± 0.2		UNIT:		BOBBIN MATERIAL:
			16 < L ≤ 63 ± 0.3		MM		PBT(白色)
					SCALE:		UL REC.
							UL 94V-0
					PIN MATERIAL:		PIN TENSION LOAD:
					CP WIRE		1.5KG MIN
					DATE:	DRAWING NO.	REV.
					2021.08.13	ZX-42X	A01

**ZXE** 智信电子塑胶有限公司  
 ZHI XIN ELECTRONICS PLASTIC CO., LTD.  
 TEL: 0769-86389901-2 FAX: 0769-86389903