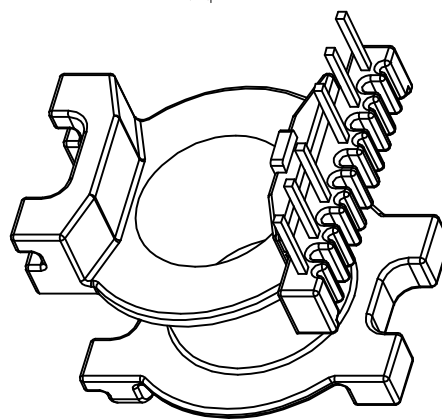
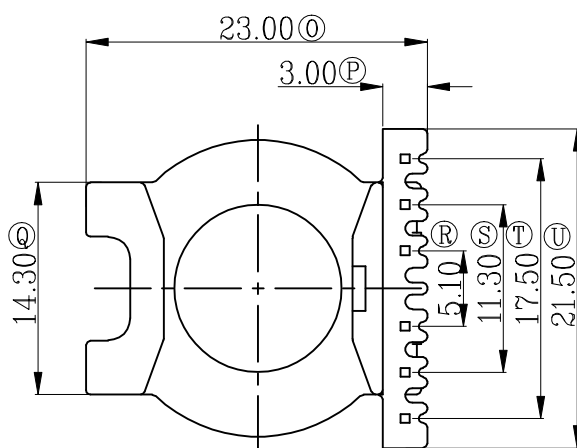
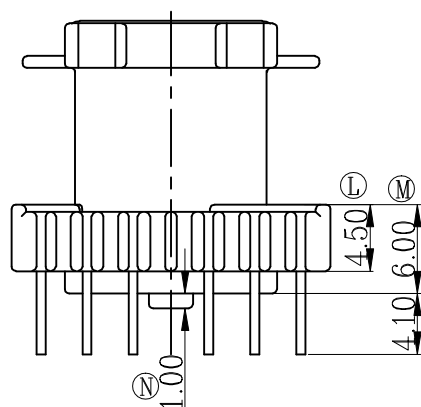
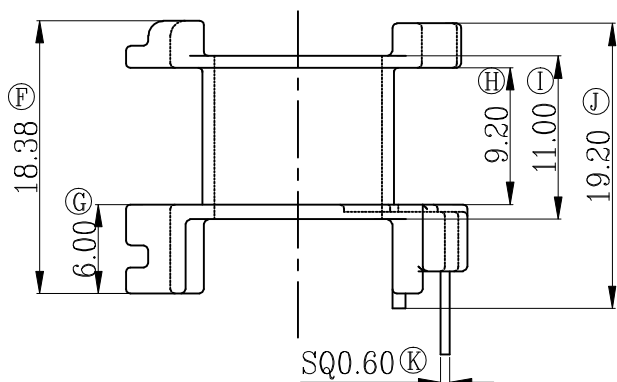
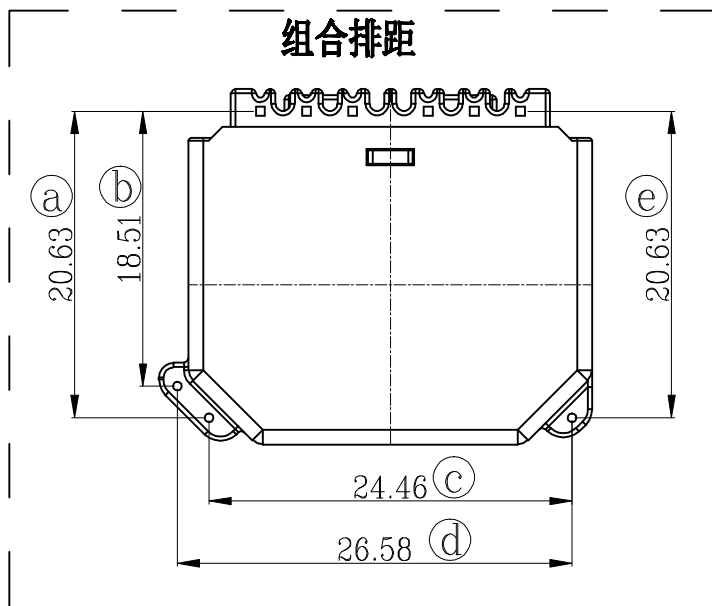
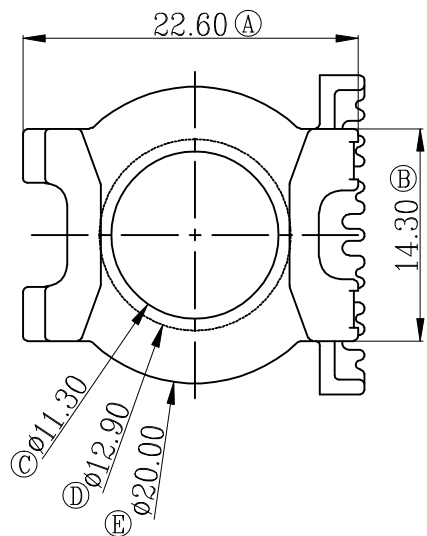


ZX-24J

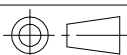


对应ZX-24K

| REV. | REVISIONS | REC. | DATE | REV. | REVISIONS | REC. | DATE |
|-----------------------|-----------|---------------|--------------|------|---------------|------|-------------------|
| 1 | | | | 4 | | | |
| 2 | | | | 5 | | | |
| 3 | | | | 6 | | | |
| DRAWN & DRAFTED BY | | LIU WEI QIANG | TOLERANCES | | ANGLE: | | TITLE: |
| CHECKED & APPROVED BY | | LIN JUN | 0<L≤4 ±0.1 | | ±1° | | PQ-24(6P) |
| | | | 4<L≤16 ±0.2 | | UNIT: | | BOBBIN MATERIAL: |
| | | | 16<L≤63 ±0.3 | | MM | | PM-9820 |
| | | | SCALE: | | PIN MATERIAL: | | UL REC. |
| | | | | | CP WIRE | | UL 94V-0 |
| | | | DATE: | | DRAWING NO. | | PIN TENSION LOAD: |
| | | | 2021.08.23 | | ZX-24J | | 1.0KG MIN |
| | | | | | REV. | | A01 |



智信电子塑胶有限公司
ZHI XIN ELECTRONICS PLASTIC CO., LTD.
 TEL:0769-86389901-2 FAX:0769-86389903



DATE: 2021.08.23

DRAWING NO. ZX-24J

REV. A01