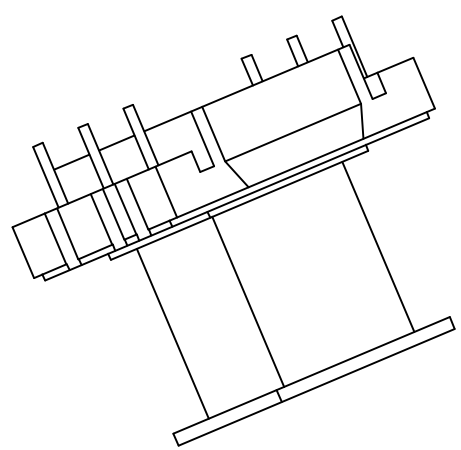
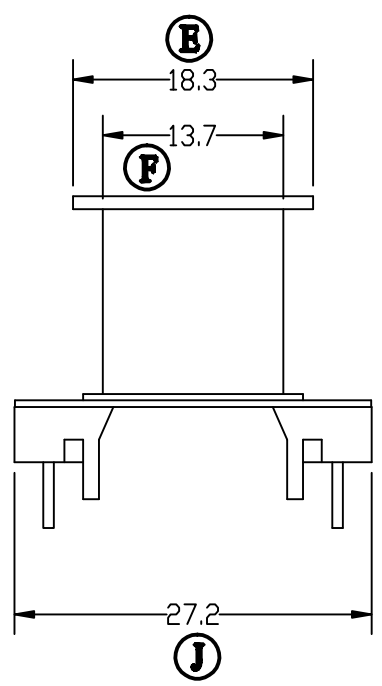
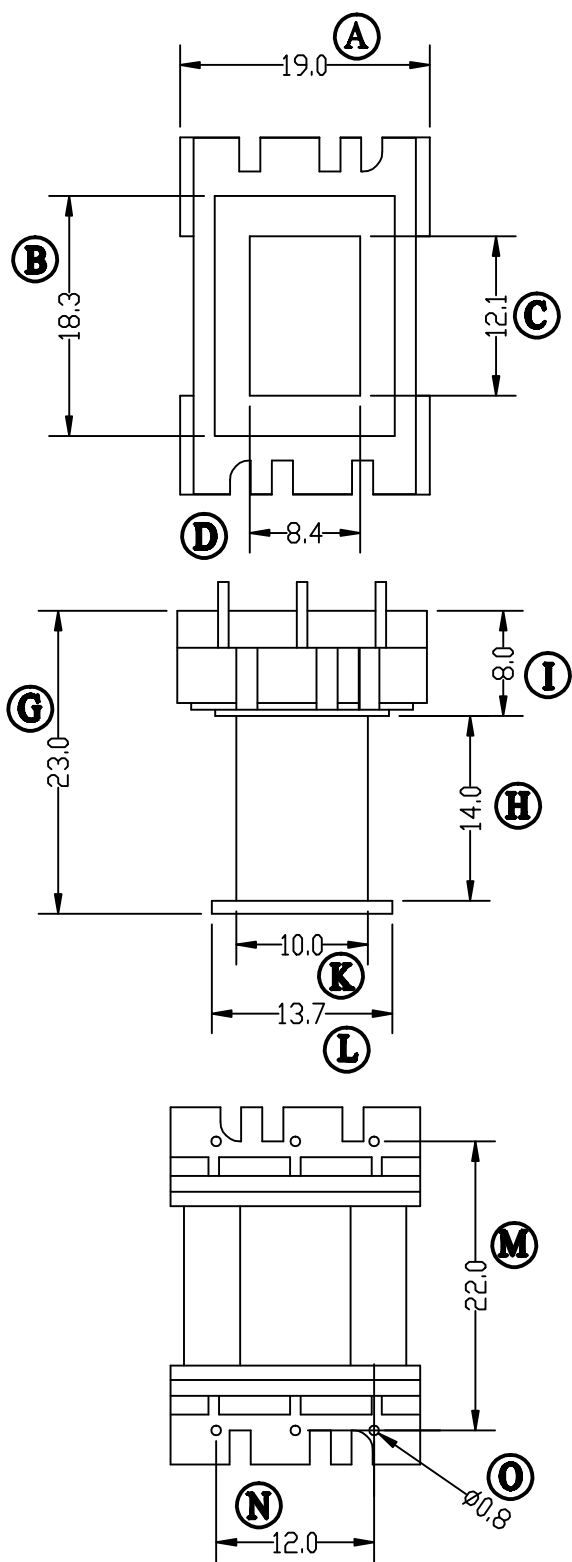


# ZX-28AV



与ZX-28AU对应

REV.	REVISIONS REC.		DATE	REV.	REVISIONS REC.		DATE		
1				4					
2				5					
3				6					
DRAWN & DRAFTED BY		LIU WEI QIANG		TOLERANCES		ANGLE: $\pm 1^\circ$		TITLE: <b>EI-28 (3+3P)</b>	
CHECKED & APPROVED BY		ZHANG YONG		$0 < L \leq 4 \pm 0.1$ $4 < L \leq 16 \pm 0.2$ $16 < L \leq 63 \pm 0.3$		pin pitch $\pm 0.2$		UNIT: MM	
SCALE:		智信电子塑胶有限公司		PIN MATERIAL:		CP WIRE		BOBBIN MATERIAL: PHENOLIC	
DATE: 2018.11.30		ZHI XIN ELECTRONICS PLASTIC CO., LTD.		PIN TENSION LOAD:		1.2KG MIN		UL REC. UL 94V-0	
DRAWING NO. ZX-28AV		TEL:0769-86389901-2		FAX:0769-86389903		REV. A01			