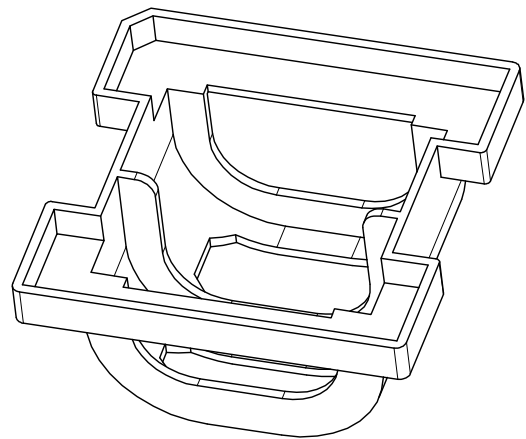
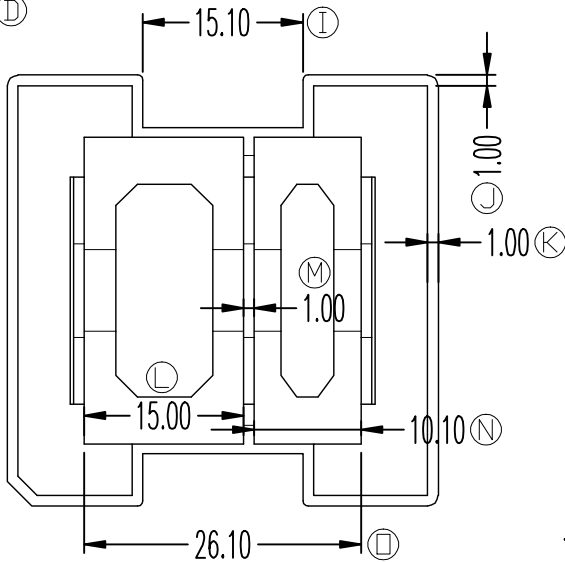
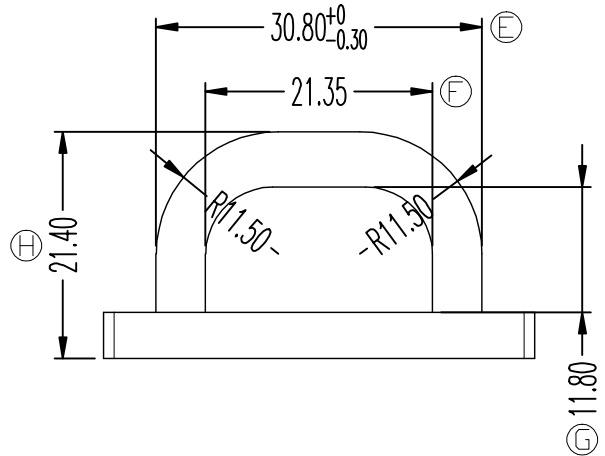
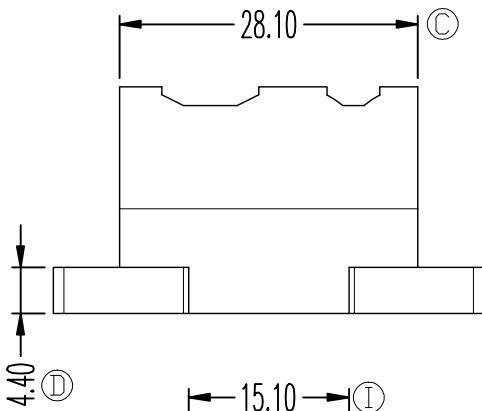
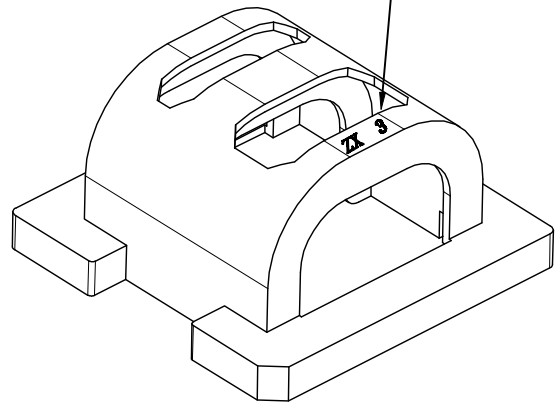
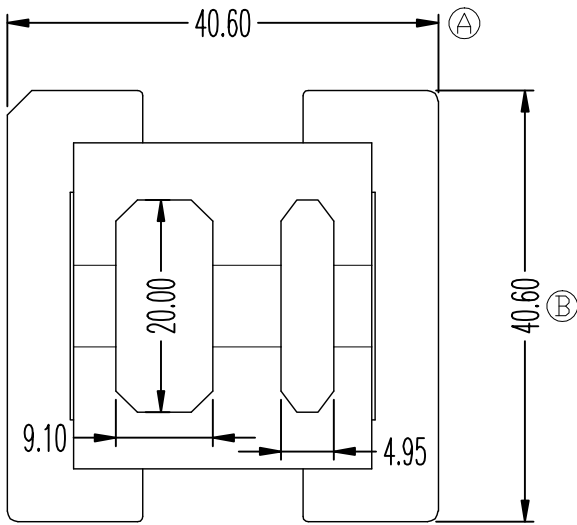


ZX-39L

模号



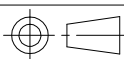
对应 ZX-39K

REV.	REVISIONS	REC.	DATE	REV.	REVISIONS	REC.	DATE
1				4			
2				5			
3				6			
DRAWN & DRAFTED BY		LIU WEI QIANG		TOLERANCES		ANGLE: $\pm 1^\circ$	
CHECKED & APPROVED BY		LIN JUN		0 < L ≤ 4 ± 0.1		TITLE: <b>EPC-39 (CASE)</b>	
				4 < L ≤ 16 ± 0.2		BOBBIN MATERIAL: PBT	
				16 < L ≤ 63 ± 0.3		UL REC. UL 94V-0	
				UNIT: MM		PIN TENSION LOAD:	
				SCALE:		PIN MATERIAL:	
				DATE: 2021.08.12		DRAWING NO. ZX-39L	
				REV. A01			



智信电子塑胶有限公司

ZHI XIN ELECTRONICS PLASTIC CO., LTD.  
TEL: 0769-86389901-2 FAX: 0769-86389903



DATE: 2021.08.12

DRAWING NO. ZX-39L

REV. A01