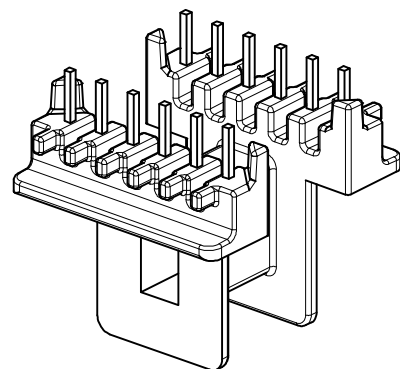
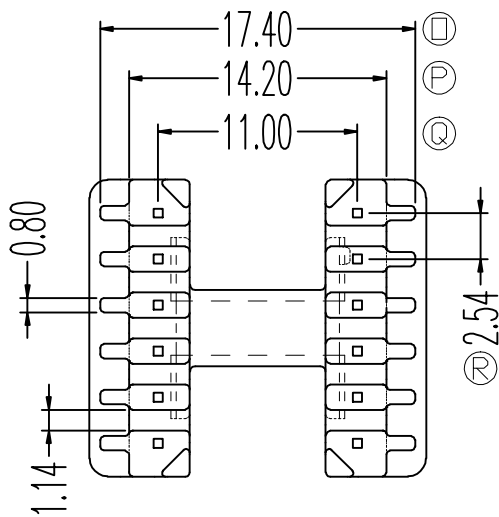
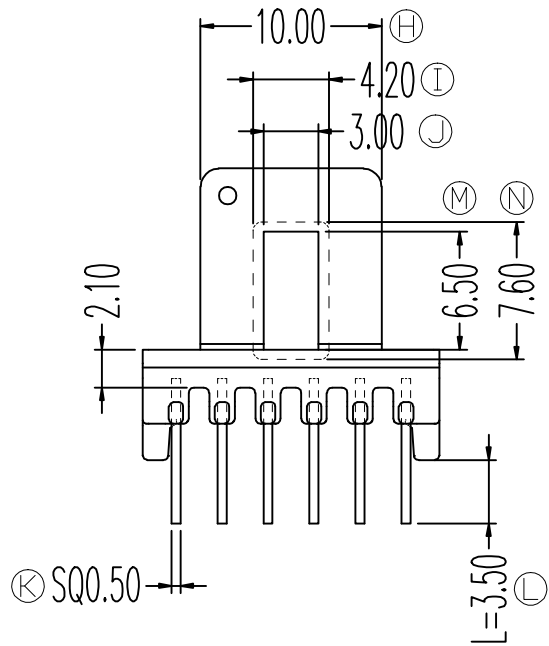
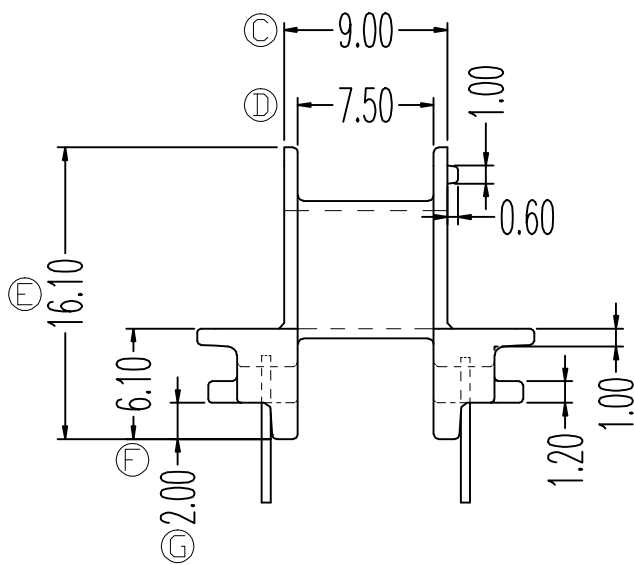
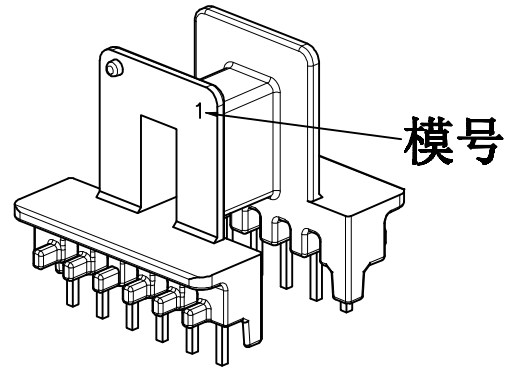
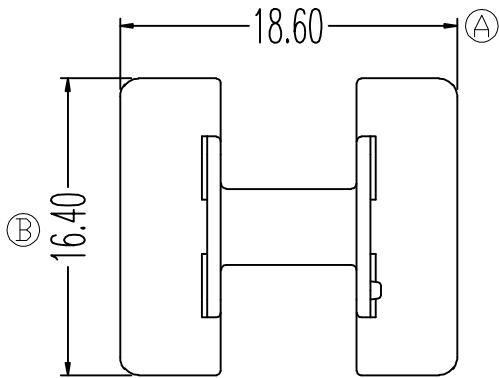


ZX-13BM



REV.	REVISIONS REC.		DATE	REV.	REVISIONS REC.		DATE
1				4			
2				5			
3				6			
DRAWN & DRAFTED BY	LIU WEI QIANG		TOLERANCES	ANGLE:	TITLE: EE-13(6+6P)		
CHECKED & APPROVED BY	LIN JUN		0<L≤4 ±0.1 4<L≤16 ±0.2 16<L≤63 ±0.3	UNIT: MM	BOBBIN MATERIAL: PHENOLIC	UL REC. UL 94V-0	
智信电子塑胶有限公司			pin pitch ±0.2	SCALE:	PIN MATERIAL: CP WIRE	PIN TENSION LOAD: 0.8KG MIN	
ZXE ZHI XIN ELECTRONICS PLASTIC CO., LTD.					DATE: 2022.01.06	DRAWING NO. ZX-13BM	REV. A01
TEL:0769-86389901-2 FAX:0769-86389903							