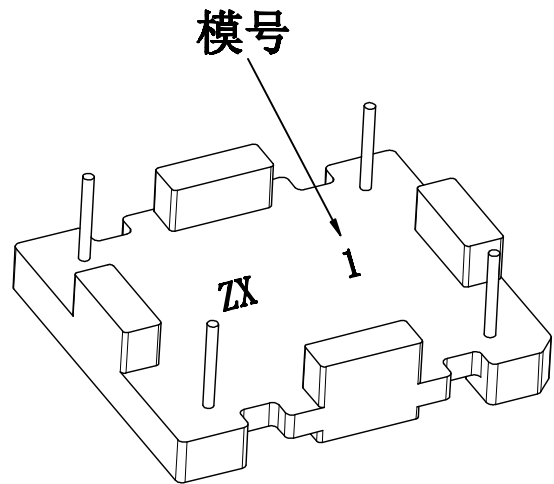
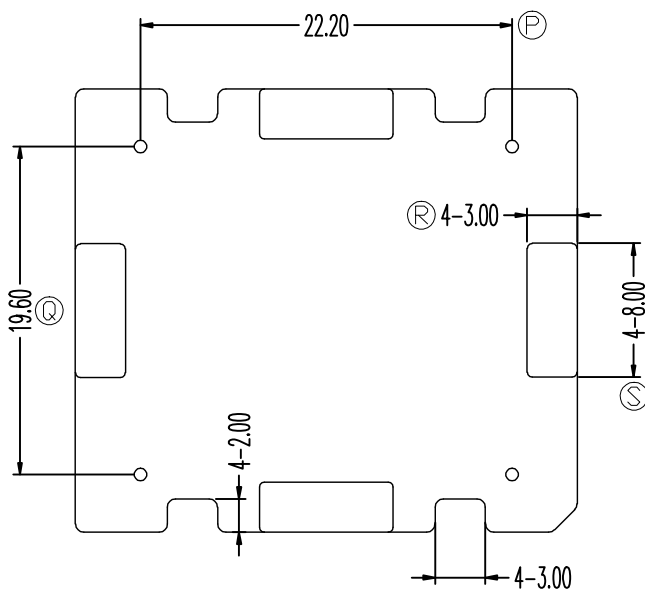
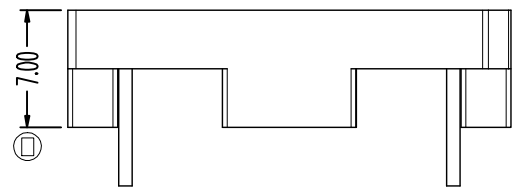
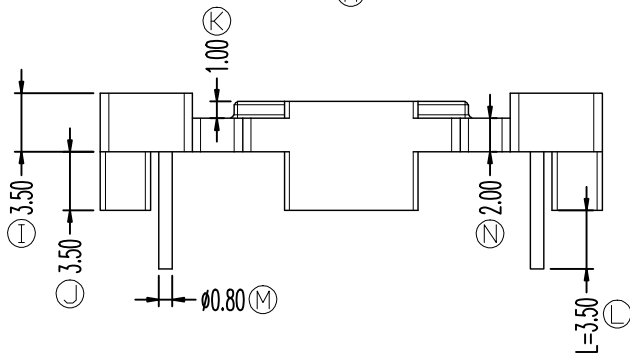
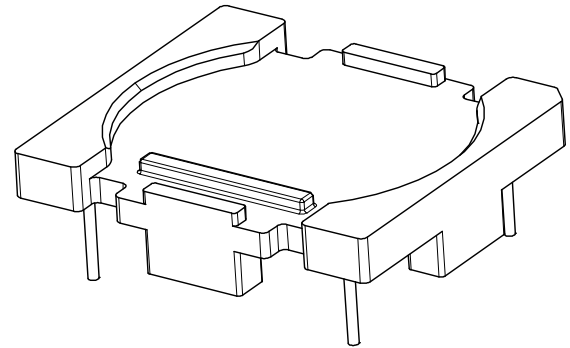
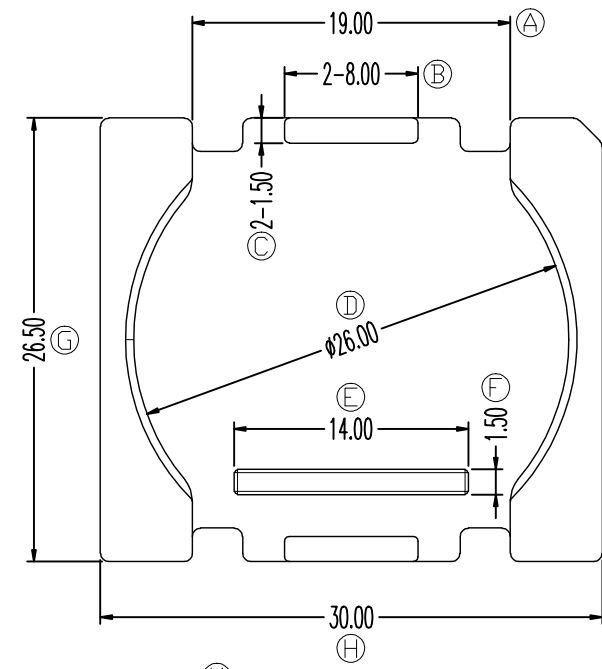


ZX-B134



REV.	REVISIONS REC.		DATE	REV.	REVISIONS REC.		DATE	
1				4				
2				5				
3				6				
DRAWN & DRAFTED BY		LIU WEI QIANG	TOLERANCES		ANGLE: $\pm 1^\circ$			TITLE: 10041282(BASE)
CHECKED & APPROVED BY		LIN JUN	0 < L ≤ 4 ± 0.1		UNIT: MM	BOBBIN MATERIAL: PHENOLIC	UL REC. UL 94V-0	
			4 < L ≤ 16 ± 0.2		SCALE:	PIN MATERIAL: CP WIRE	PIN TENSION LOAD: 1.0KG MIN	
			16 < L ≤ 63 ± 0.3		DATE: 2022.01.07	DRAWING NO. ZX-B134	REV. A01	
智信电子塑胶有限公司 ZHI XIN ELECTRONICS PLASTIC CO., LTD. TEL:0769-86389901-2 FAX:0769-86389903								