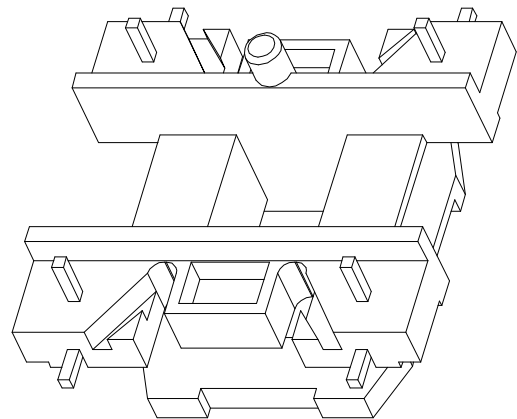
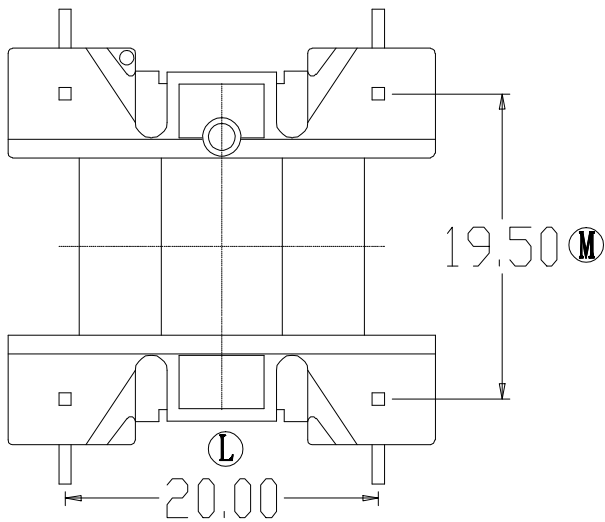
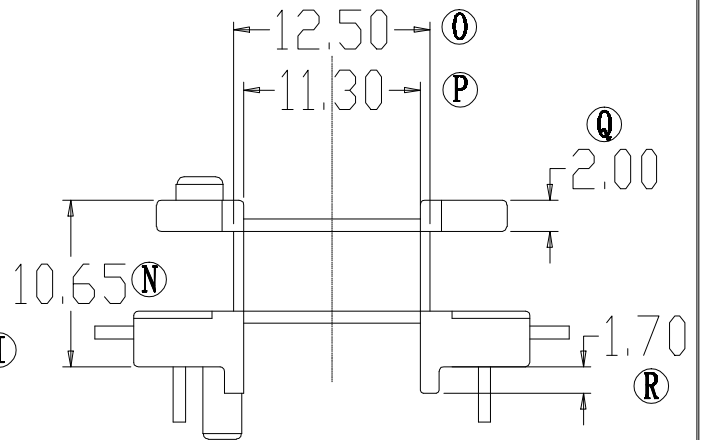
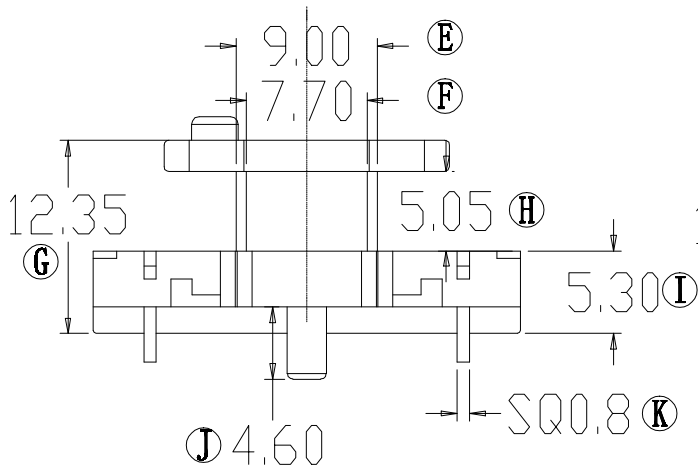
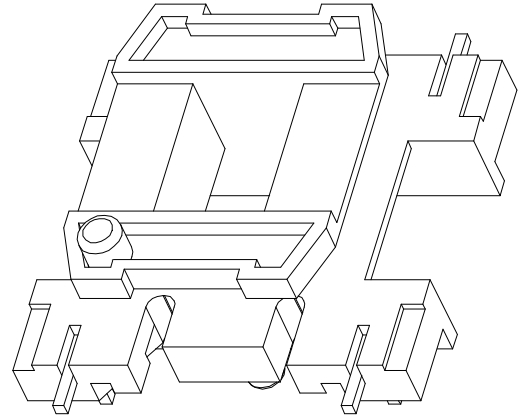
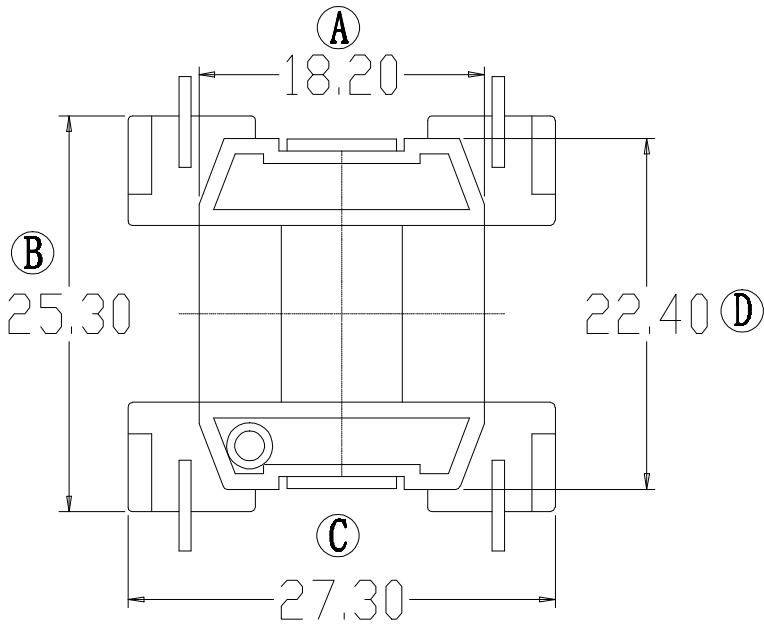


ZX-26Y



REV.	REVISIONS REC.		DATE	REV.	REVISIONS REC.		DATE
1				4			
2				5			
3				6			
DRAWN & DRAFTED BY		LIU WEI QIANG	TOLERANCES		ANGLE:	TITLE:	
CHECKED & APPROVED BY		LIN JUN	0<L≤4 ±0.1	pin pitch	±1°	EE-26(2+2P)	
			4<L≤16 ±0.2	±0.2	UNIT:	BOBBIN MATERIAL:	UL REC.
			16<L≤63 ±0.3		MM	PHENOLIC	UL 94V-0
					SCALE:	PIN MATERIAL:	PIN TENSION LOAD:
						CP WIRE	1.2KG MIN
						DATE:	DRAWING NO.
						2011.09.20	ZX-26Y
							REV. A01