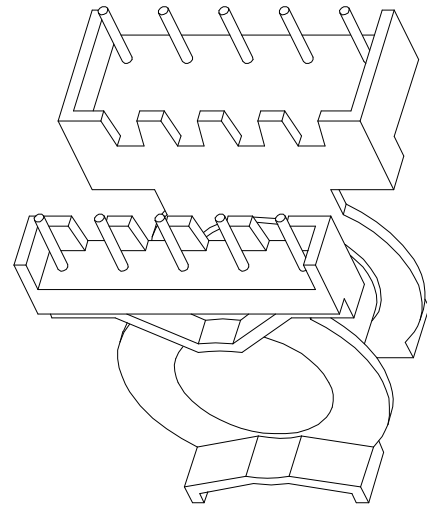
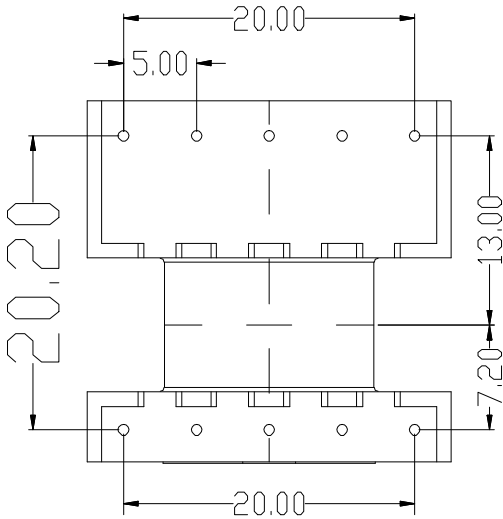
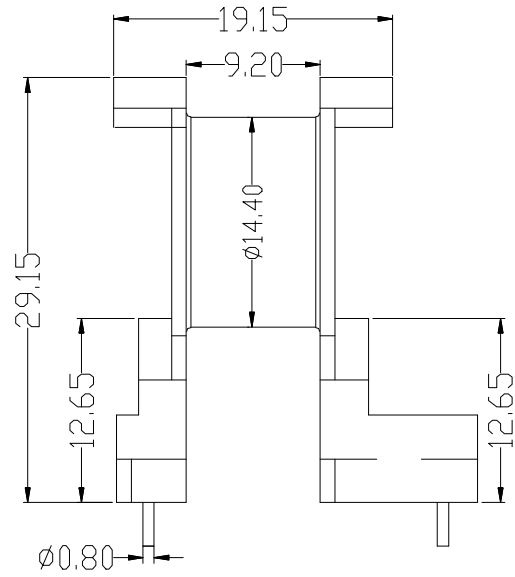
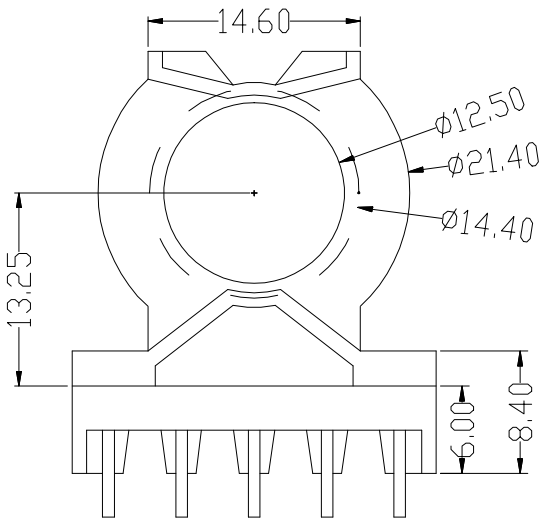
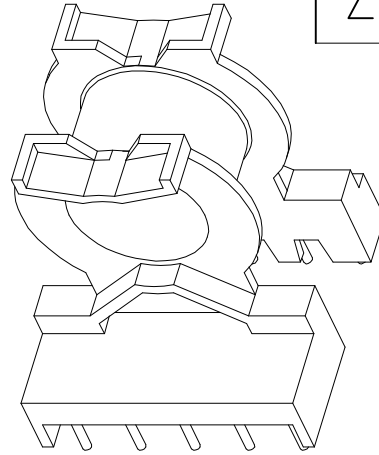
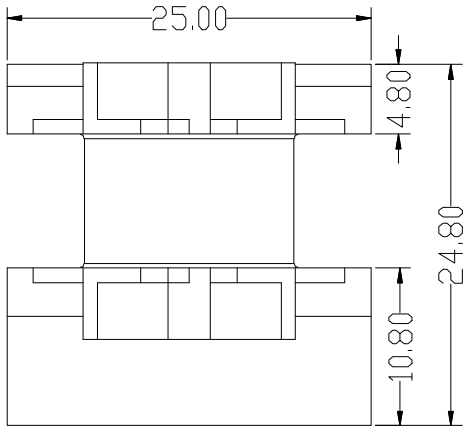


ZX-26X



REV.	REVISIONS REC.		DATE	REV.	REVISIONS REC.		DATE
1				4			
2				5			
3				6			
DRAWN & DRAFTED BY		LIU WEI QIANG		TOLERANCES		ANGLE: $\pm 1^\circ$	
CHECKED & APPROVED BY		LIN JUN		0 < L ≤ 4 ±0.1		UNIT: MM	
				4 < L ≤ 16 ±0.2		TITLE: PQ-26(5+5P)	
				16 < L ≤ 63 ±0.3		BOBBIN MATERIAL: PHENOLIC	
				pin pitch ±0.2		UL REC. UL 94V-0	
				SCALE:		PIN MATERIAL: CP WIRE	
				DATE: 2013.04.09		PIN TENSION LOAD: 1.0KG MIN	
				DRAWING NO. ZX-26X		REV. A01	



智信电子塑胶有限公司

ZHI XIN ELECTRONICS PLASTIC CO., LTD.  
TEL:0769-86389901-2 FAX:0769-86389903

