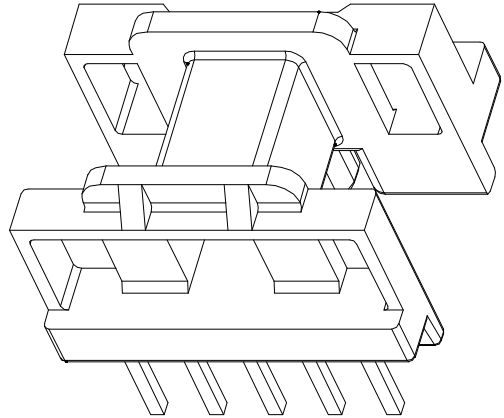
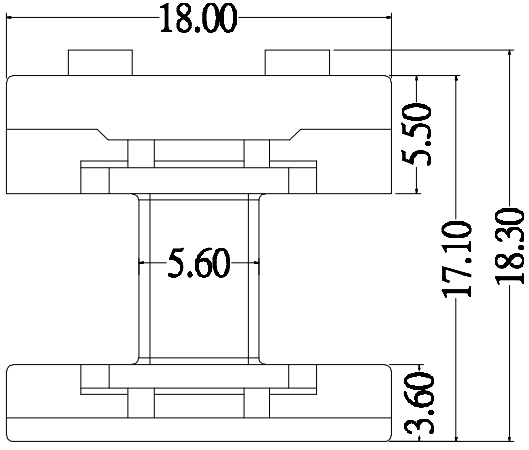
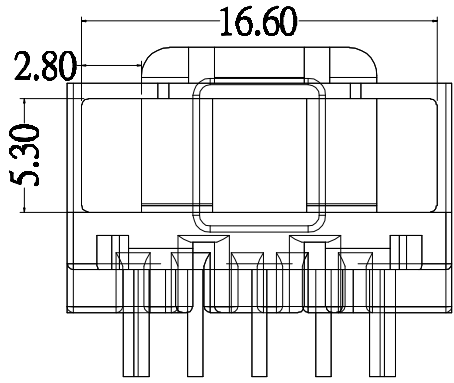
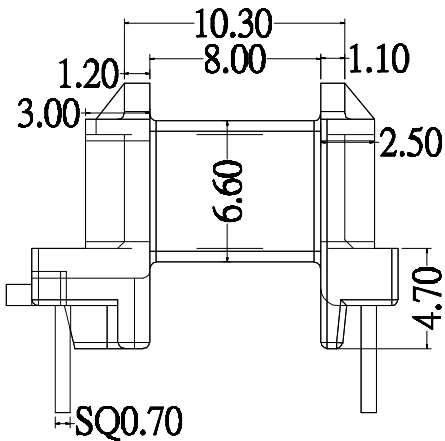
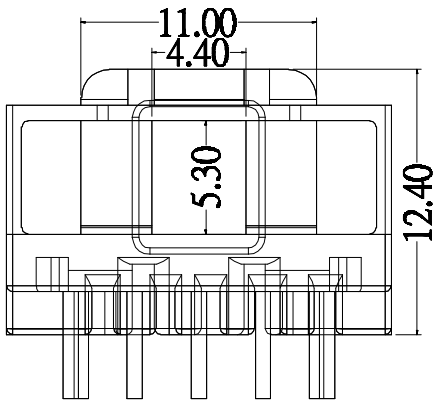
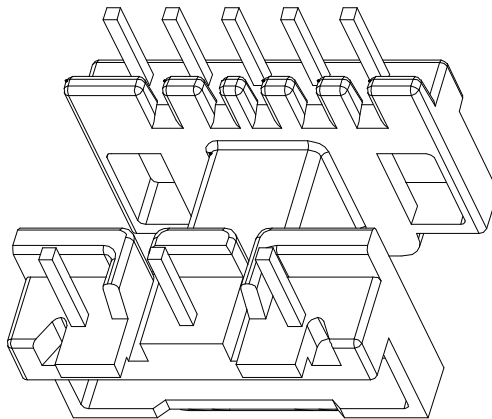
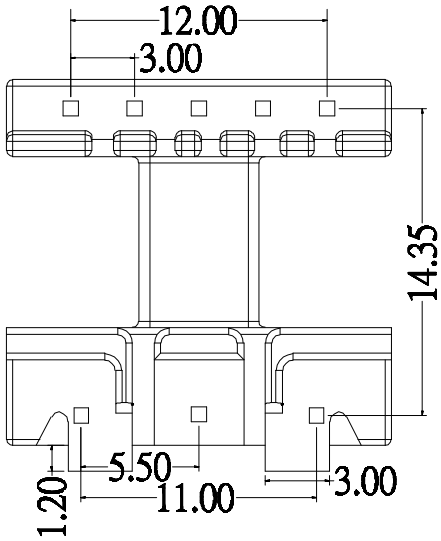


ZX-16CN



REV.	REVISIONS	REC.	DATE	REV.	REVISIONS	REC.	DATE		
1				4					
2				5					
3				6					
DRAWN & DRAFTED BY		LIU WEI QIANG		TOLERANCES		ANGLE: $\pm 1^\circ$		TITLE: EE-16(5+3P)	
CHECKED & APPROVED BY		LIN JUN		$0 < L \leq 4 \pm 0.1$ $4 < L \leq 16 \pm 0.2$ $16 < L \leq 63 \pm 0.3$		pin pitch $\pm 0.2$		UNIT: MM	
				SCALE:		BOBBIN MATERIAL: PHENOLIC		UL REC. UL 94V-0	
						PIN MATERIAL: CP WIRE		PIN TENSION LOAD: 1.2KG MIN	
				DATE: 2013.10.31		DRAWING NO. ZX-16CN		REV. A01	

**ZXE** 智信电子塑胶有限公司  
 ZHI XIN ELECTRONICS PLASTIC CO., LTD.  
 TEL: 0769-86389901-2 FAX: 0769-86389903