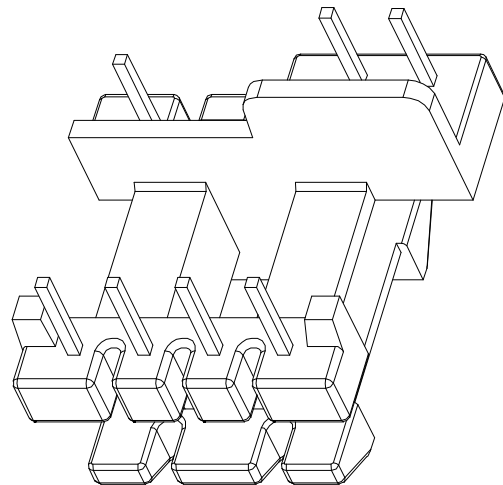
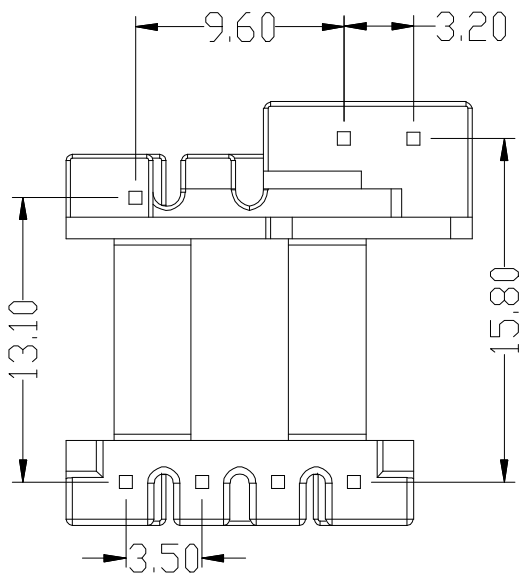
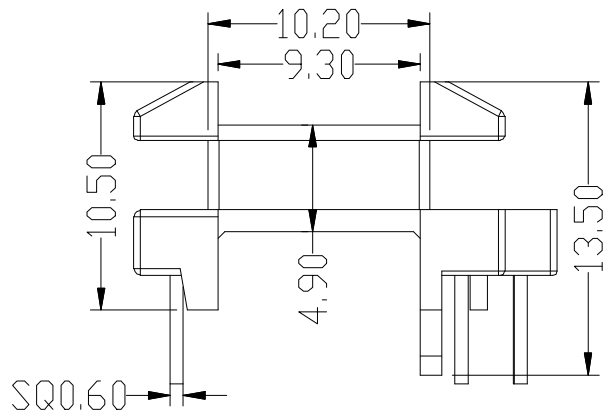
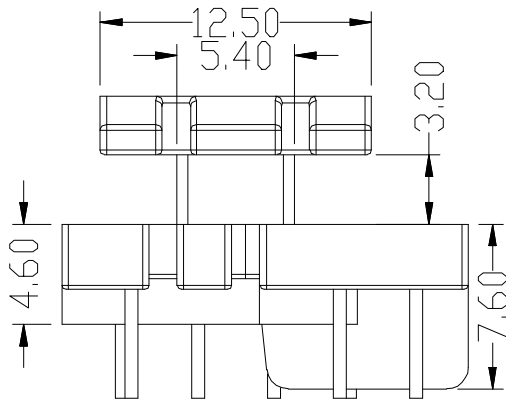
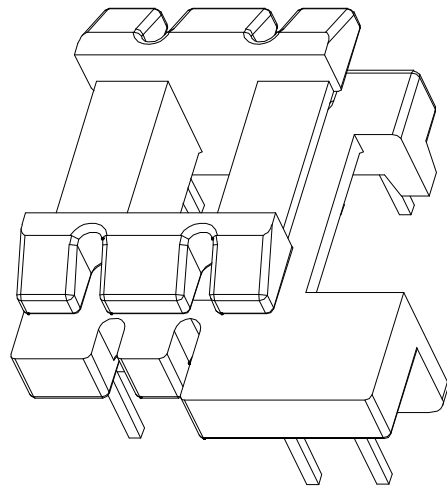
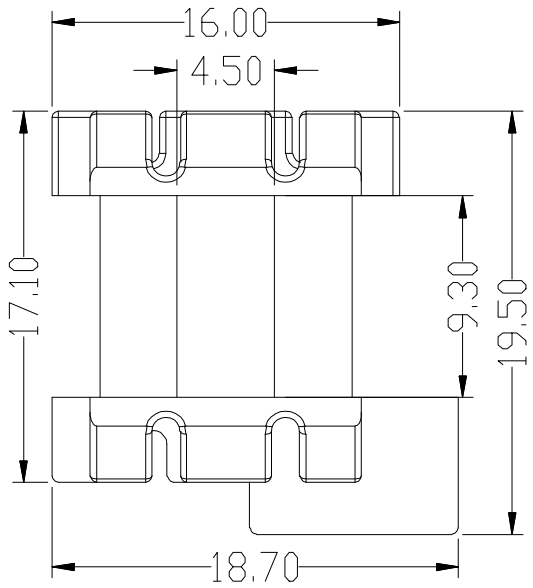


ZX-16CR



REV.	REVISIONS REC.		DATE	REV.	REVISIONS REC.		DATE
1				4			
2				5			
3				6			
DRAWN & DRAFTED BY	LIU WEI QIANG	TOLERANCES		ANGLE:	TITLE: EE-16(4+3P)		
CHECKED & APPROVED BY	LIN JUN	0<L≤4 ±0.1	pin pitch	UNIT:	BOBBIN MATERIAL:	UL REC.	
		4<L≤16 ±0.2	±0.2	MM	PHENOLIC	UL 94V-0	
		16<L≤63 ±0.3		SCALE:	PIN MATERIAL:	PIN TENSION LOAD:	
智信电子塑胶有限公司 ZHI XIN ELECTRONICS PLASTIC CO., LTD. TEL:0769-86389901-2 FAX:0769-86389903					CP WIRE	1.0KG MIN	
				DATE:	DRAWING NO.	REV.	
				2013.04.07	ZX-16CR	A01	