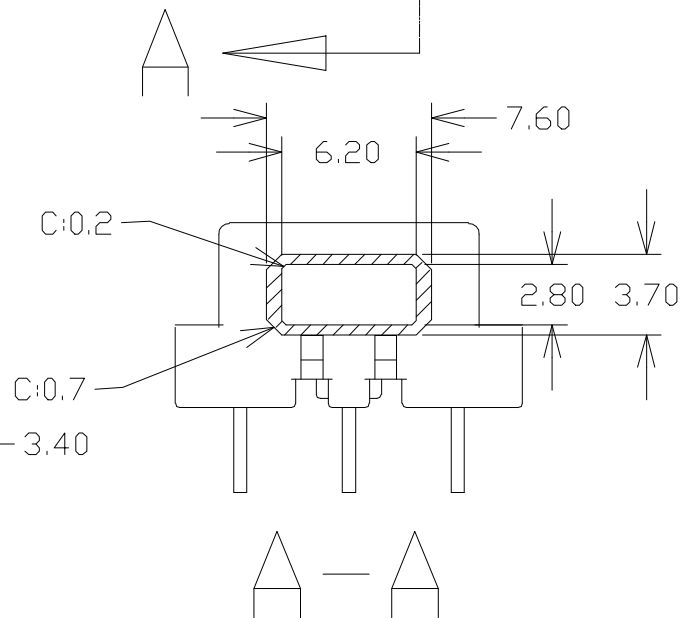
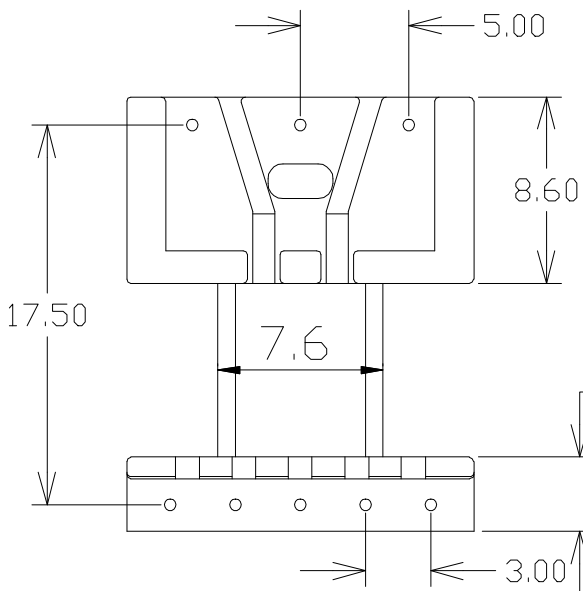
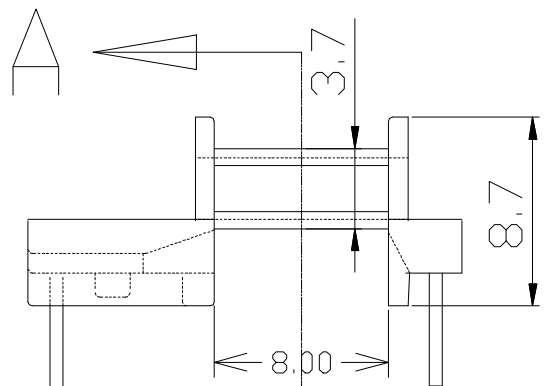
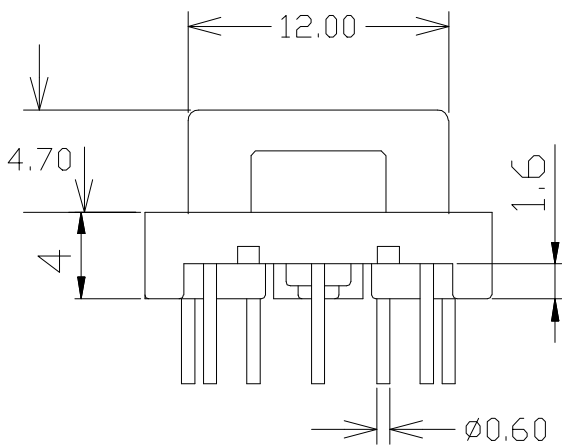
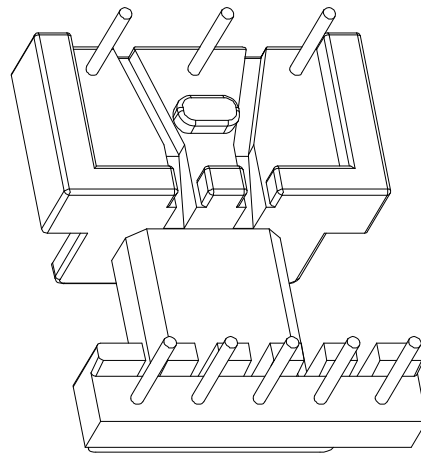
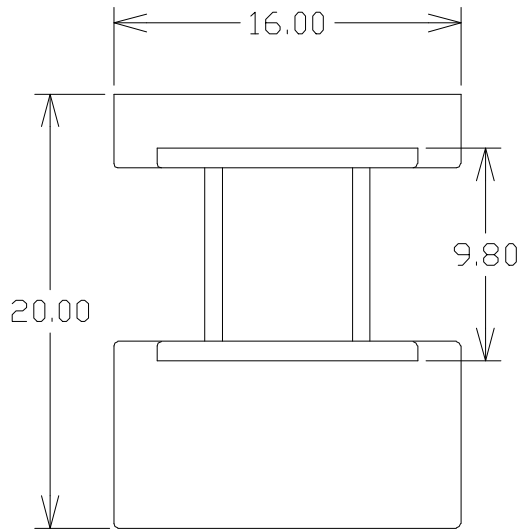


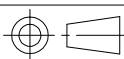
ZX-16CT



REV.	REVISIONS REC.		DATE	REV.	REVISIONS REC.		DATE
1				4			
2				5			
3				6			
DRAWN & DRAFTED BY		LIU WEI QIANG		TITLE:		EFD-16(5+3P)	
CHECKED & APPROVED BY		LIN JUN		BOBBIN MATERIAL:		PHENOLIC	
		TOLERANCES		UNIT:		UL REC.	
		0<L≤4 ±0.1		MM		UL 94V-0	
		4<L≤16 ±0.2		SCALE:		PIN TENSION LOAD:	
		16<L≤63 ±0.3				1.0KG MIN	
		pin pitch ±0.2		DATE:		DRAWING NO.	
				2013.10.26		ZX-16CT	
				SCALE:		REV.	
						A01	



智信电子塑胶有限公司
ZHI XIN ELECTRONICS PLASTIC CO., LTD.
 TEL:0769-86389901-2 FAX:0769-86389903



DATE: 2013.10.26

DRAWING NO. ZX-16CT

REV. A01