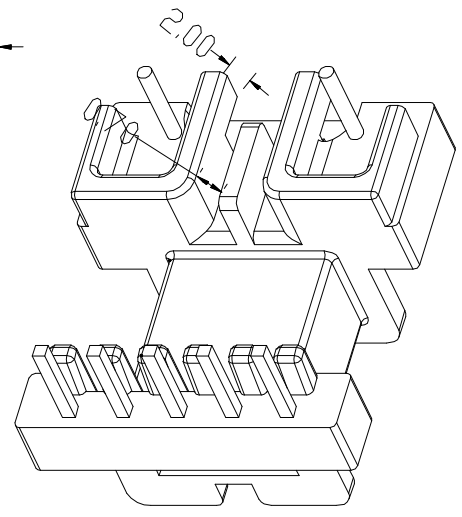
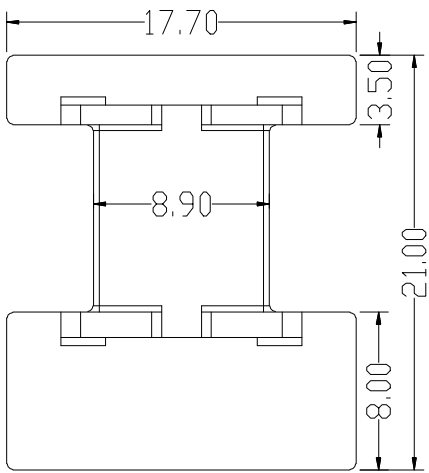
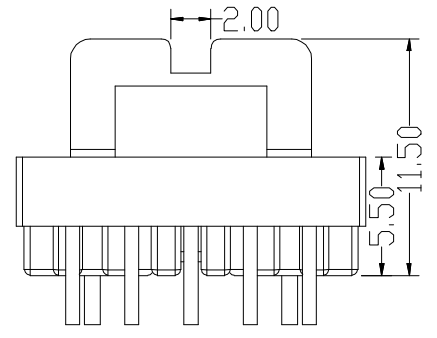
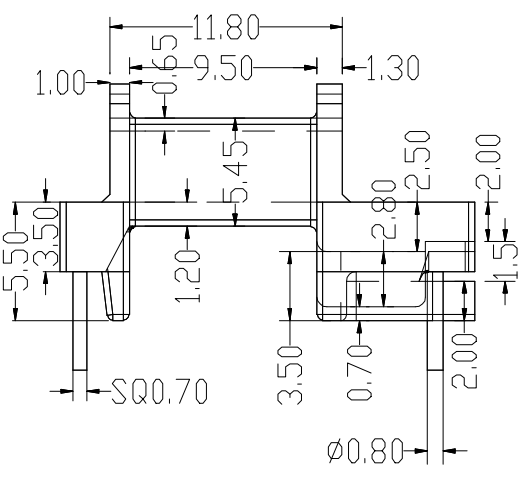
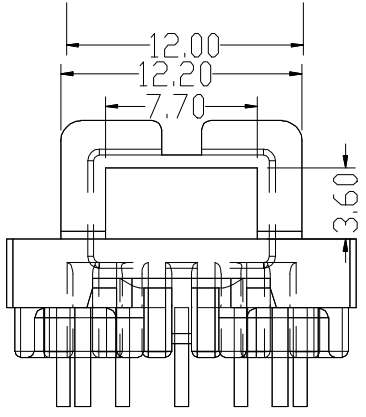
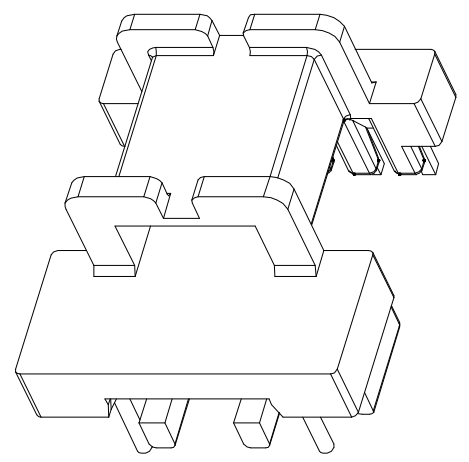
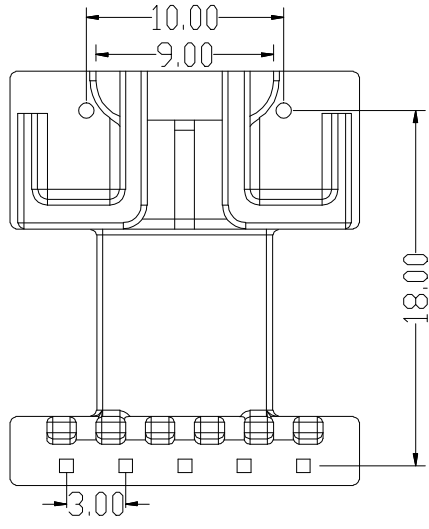


ZX-18C



REV.	REVISIONS REC.		DATE	REV.	REVISIONS REC.		DATE		
1				4					
2				5					
3				6					
DRAWN & DRAFTED BY		LIU WEI QIANG		TOLERANCES		ANGLE: ±1°		TITLE: EFD-18(5+2P)	
CHECKED & APPROVED BY		LIN JUN		0<L≤4 ±0.1 4<L≤16 ±0.2 16<L≤63 ±0.3		pin pitch ±0.2		BOBBIN MATERIAL: PHENOLIC	
				UNIT: MM		SCALE:		UL REC. UL 94V-0	
				DATE: 2013.08.28		DRAWING NO. ZX-18C		PIN MATERIAL: CP WIRE	
								PIN TENSION LOAD: 1.2KG MIN	
								REV. A01	