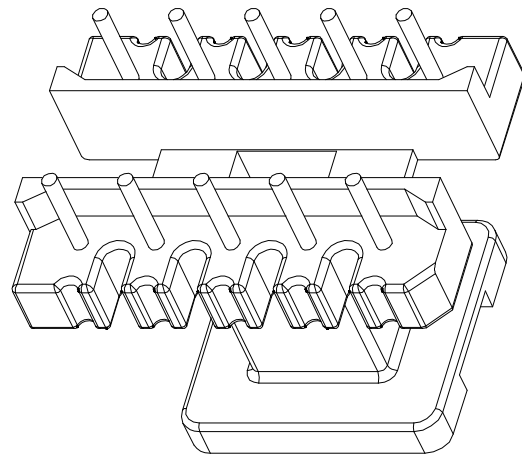
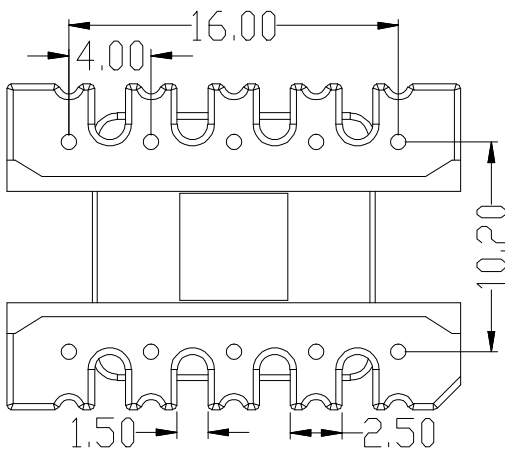
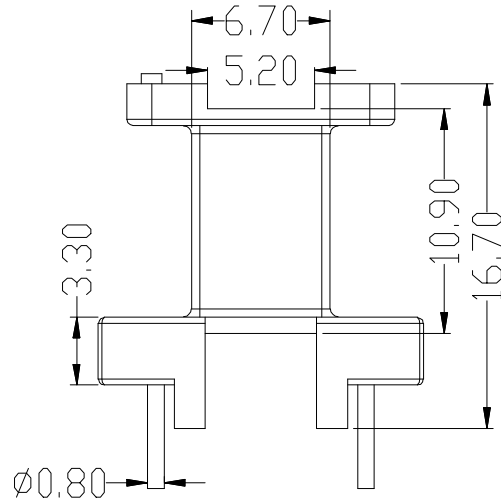
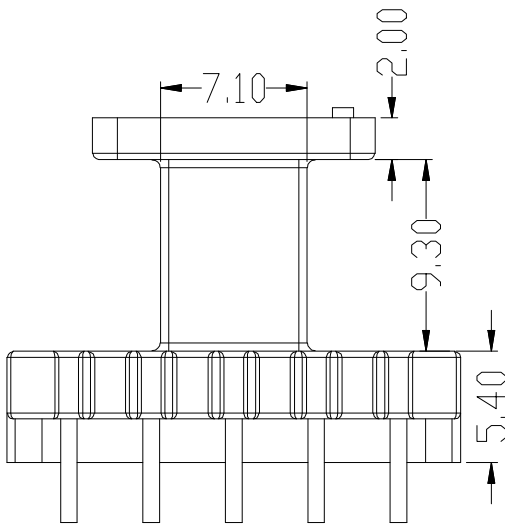
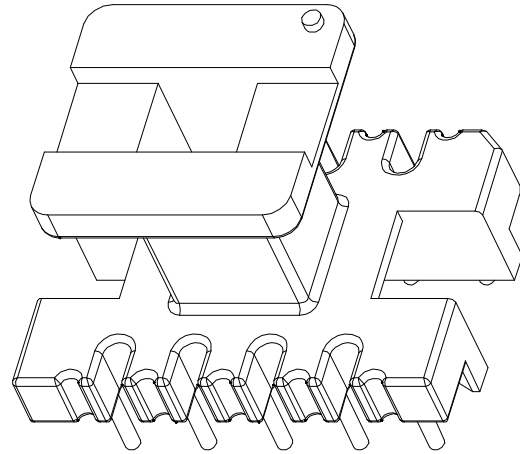
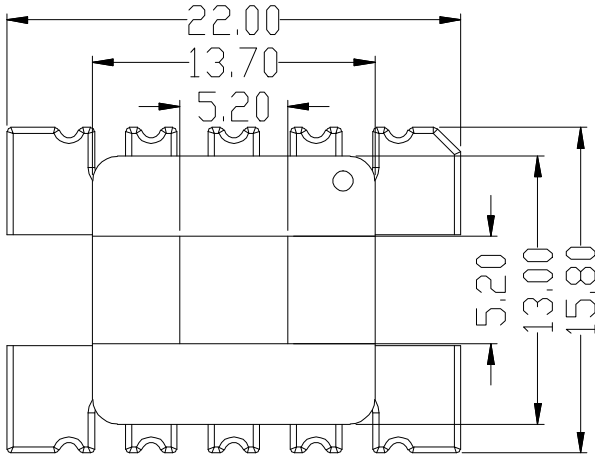


ZX-19BN



REV.	REVISIONS REC.		DATE	REV.	REVISIONS REC.		DATE
1				4			
2				5			
3				6			
DRAWN & DRAFTED BY	LIU WEI QIANG	TOLERANCES		ANGLE:	TITLE: EE-19(5+5P)		
CHECKED & APPROVED BY	LIN JUN	0<L≤4 ±0.1	pin pitch ±0.2	UNIT:	BOBBIN MATERIAL: PHENOLIC	UL REC. UL 94V-0	
		4<L≤16 ±0.2		SCALE:	PIN MATERIAL: CP WIRE	PIN TENSION LOAD: 1.2KG MIN	
		16<L≤63 ±0.3			DATE: 2013.04.09	DRAWING NO. ZX-19BN	REV. A01



智信电子塑胶有限公司

ZHI XIN ELECTRONICS PLASTIC CO., LTD.  
TEL:0769-86389901-2 FAX:0769-86389903

