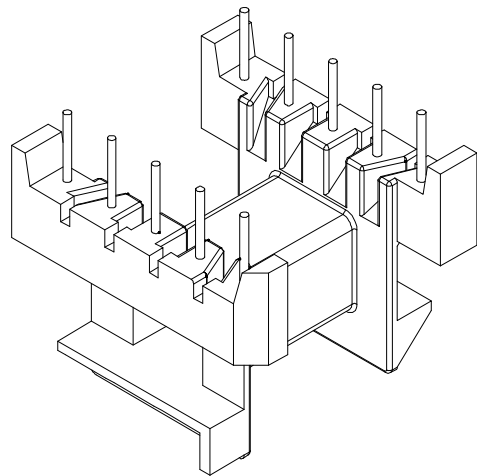
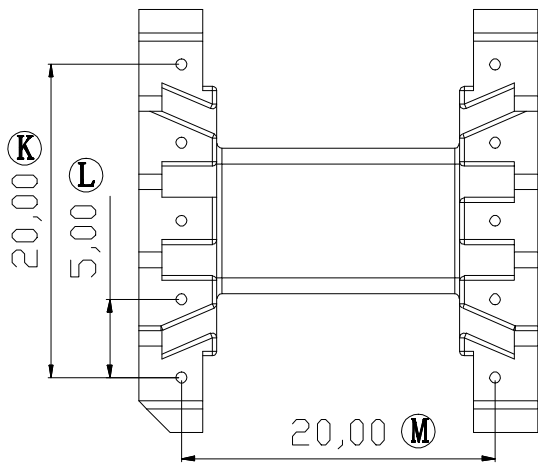
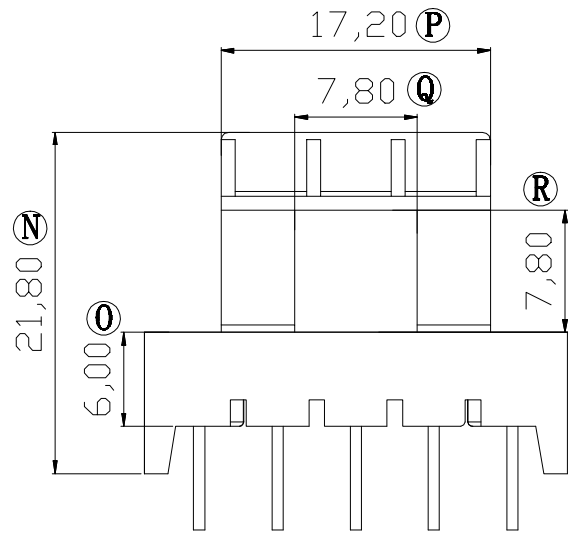
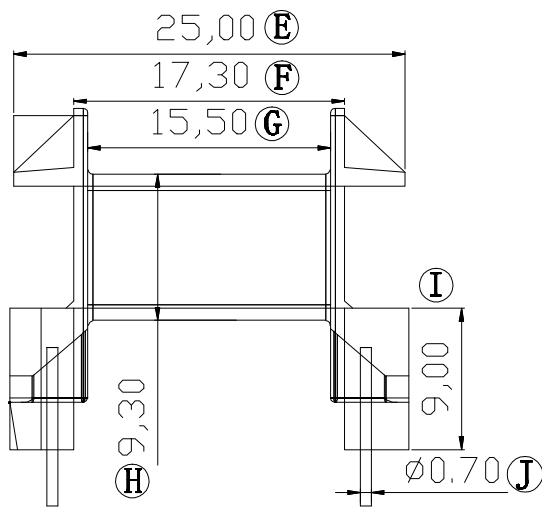
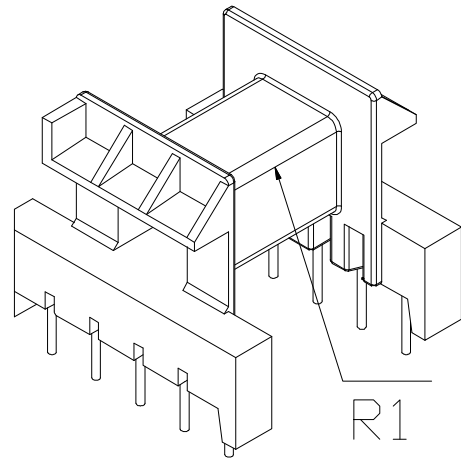
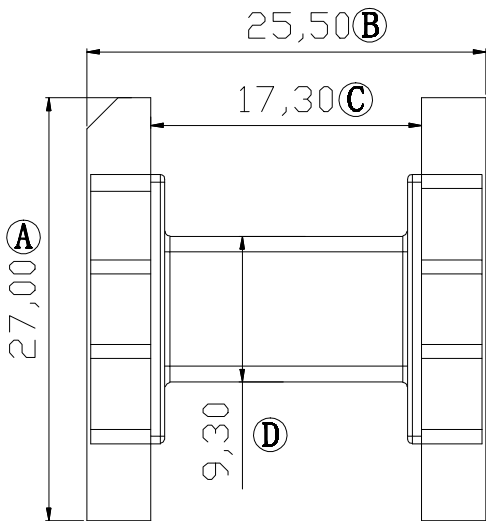


ZX-25BR



REV.	REVISIONS REC.		DATE	REV.	REVISIONS REC.		DATE
1				4			
2				5			
3				6			
DRAWN & DRAFTED BY		LIU WEI QIANG	TOLERANCES		ANGLE:	TITLE:	
CHECKED & APPROVED BY		LIN JUN	$0 < L \leq 4 \pm 0.1$ $4 < L \leq 16 \pm 0.2$ $16 < L \leq 63 \pm 0.3$	pin pitch ± 0.2	$\pm 1^\circ$	EF-25(5+5P)	
			UNIT:	MM	BOBBIN MATERIAL:	PHENOLIC	UL REC. UL 94V-0
			SCALE:		PIN MATERIAL:	CP WIRE	PIN TENSION LOAD: 1.0KG MIN
智信电子塑胶有限公司 ZHI XIN ELECTRONICS PLASTIC CO., LTD. TEL:0769-86389901-2 FAX:0769-86389903					DATE:	2012.08.17	DRAWING NO. ZX-25BR
							REV. A01