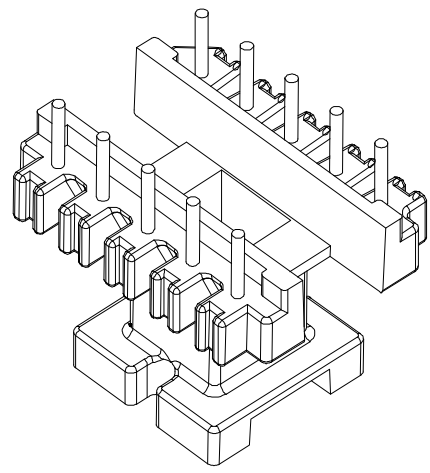
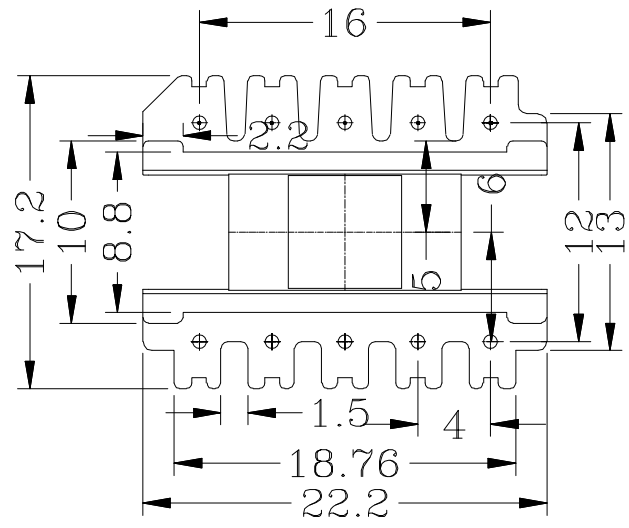
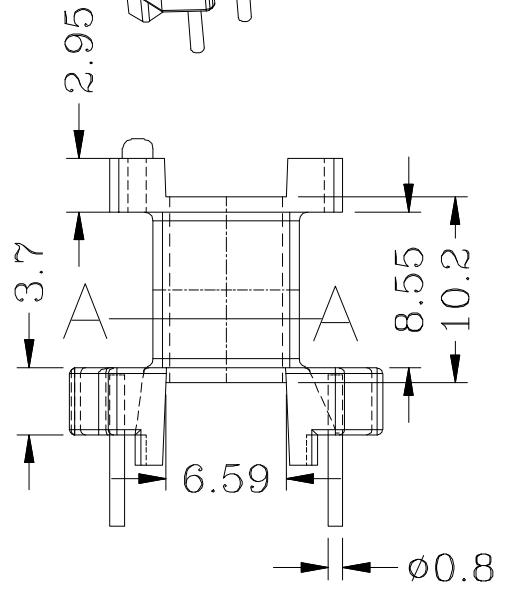
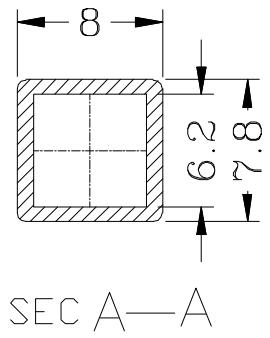
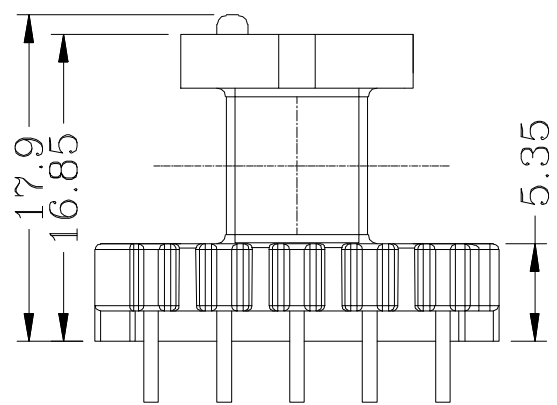
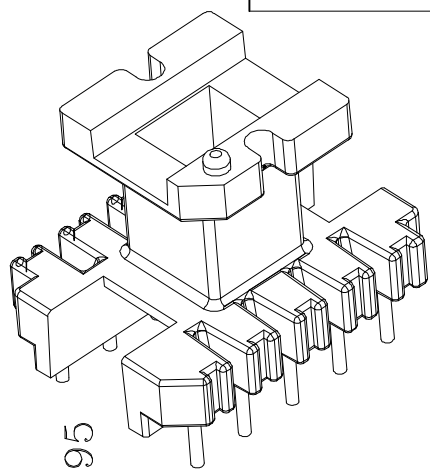
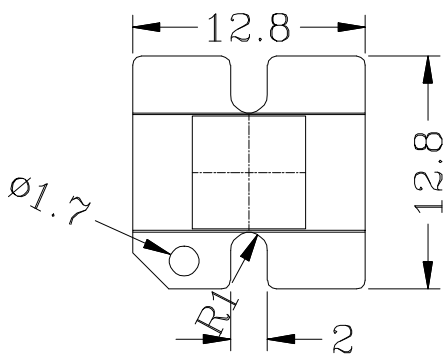


ZX-22V



REV.	REVISIONS REC.		DATE	REV.	REVISIONS REC.		DATE
1				4			
2				5			
3				6			
DRAWN & DRAFTED BY		LIU WEI QIANG	TOLERANCES		ANGLE: $\pm 1^\circ$		TITLE: EE-22(5+5P)
CHECKED & APPROVED BY		LIN JUN	0 < L ≤ 4 ±0.1	pin pitch	UNIT: MM	BOBBIN MATERIAL: PHENOLIC	UL REC. UL 94V-0
			4 < L ≤ 16 ±0.2		SCALE:	PIN MATERIAL: CP WIRE	PIN TENSION LOAD: 1.2KG MIN
			16 < L ≤ 63 ±0.3		DATE: 2012.06.27	DRAWING NO. ZX-22V	REV. A01

ZXE 智信电子塑胶有限公司
 ZHI XIN ELECTRONICS PLASTIC CO., LTD.
 TEL: 0769-86389901-2 FAX: 0769-86389903