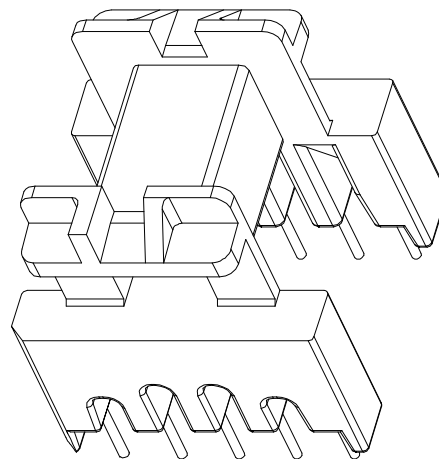
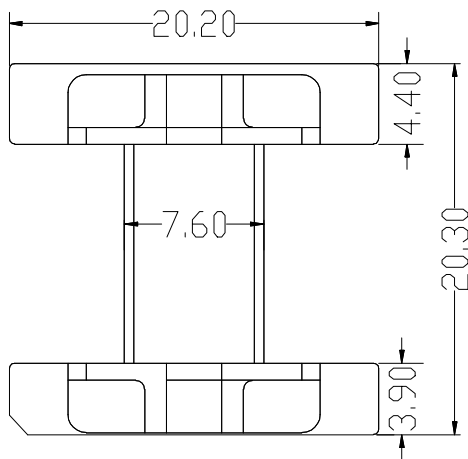
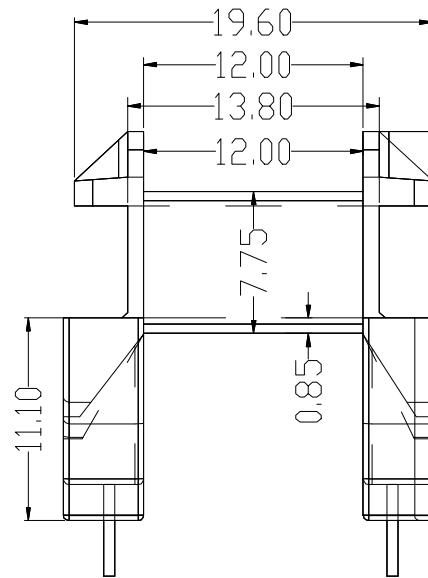
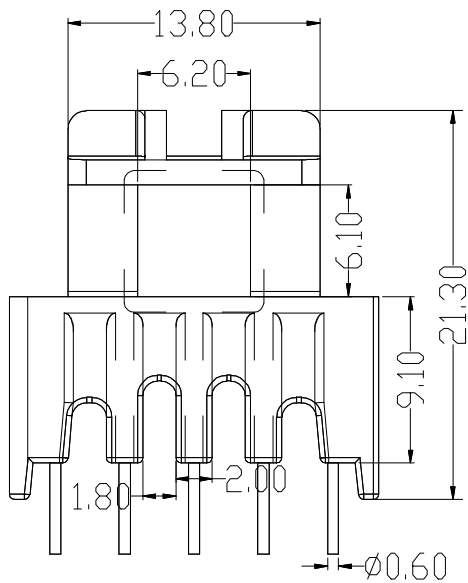
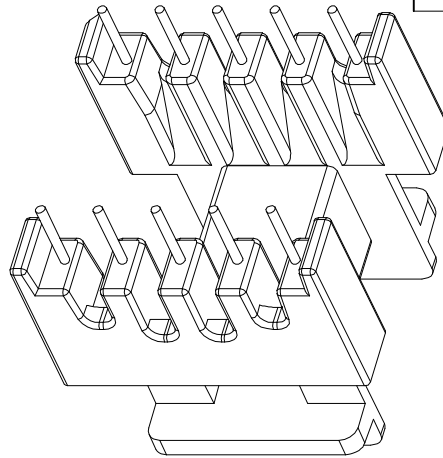
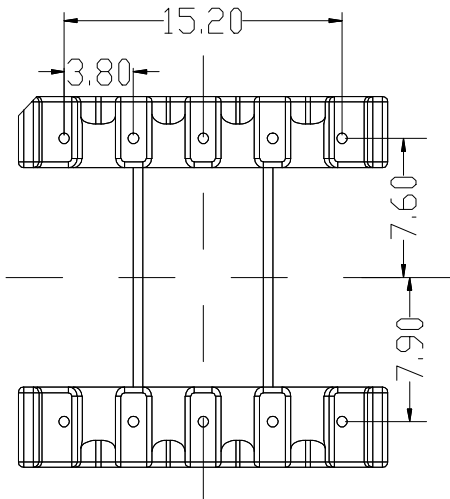


ZX-20CR



REV.	REVISIONS REC.		DATE	REV.	REVISIONS REC.		DATE
1				4			
2				5			
3				6			
DRAWN & DRAFTED BY		LIU WEI QIANG	TOLERANCES		ANGLE:	TITLE:	
CHECKED & APPROVED BY		LIN JUN	0<L≤4 ±0.1	pin pitch	±1°	EF-20(5+5P)	
			4<L≤16 ±0.2	±0.2	UNIT:	BOBBIN MATERIAL:	UL REC.
			16<L≤63 ±0.3		MM	PHENOLIC	UL 94V-0
					SCALE:	PIN MATERIAL:	PIN TENSION LOAD:
						CP WIRE	1.0KG MIN
					DATE:	DRAWING NO.	REV.
					2013.10.05	ZX-20CR	A01



智信电子塑胶有限公司

ZHI XIN ELECTRONICS PLASTIC CO., LTD.
TEL:0769-86389901-2 FAX:0769-86389903

