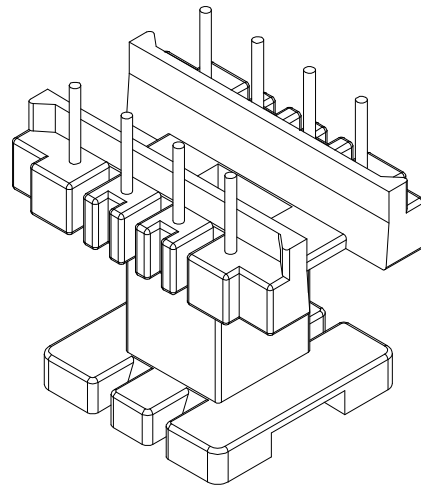
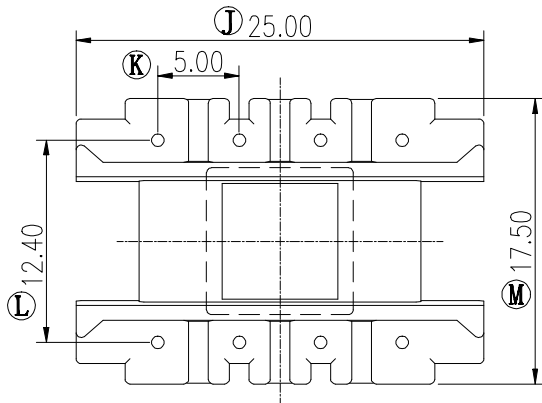
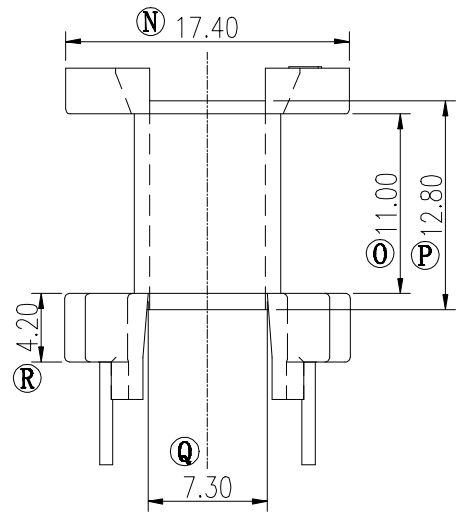
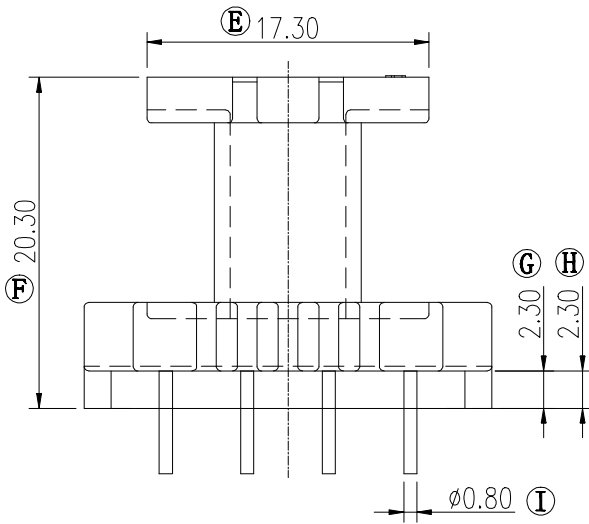
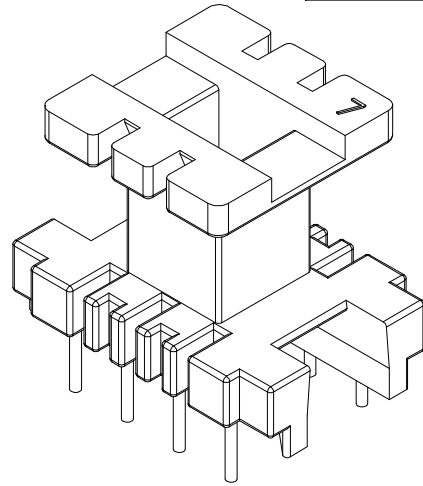
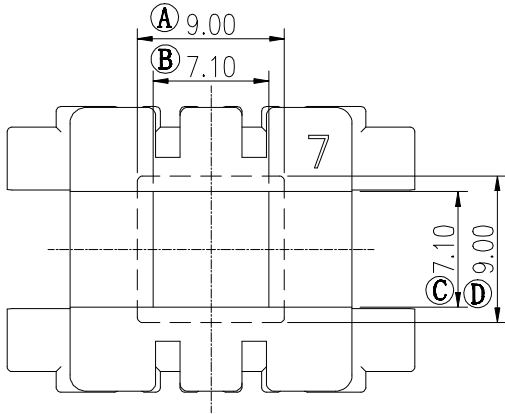


ZX-25BX



REV.	REVISIONS		REC.	DATE	REV.	REVISIONS		REC.	DATE	
1					4					
2					5					
3					6					
DRAWN & DRAFTED BY	LIU WEI QIANG		TOLERANCES		ANGLE:	TITLE: EE-25(4+4P)				
CHECKED & APPROVED BY	LIN JUN		0<L≤4 ±0.1	pin pitch ±0.2	UNIT:	BOBBIN MATERIAL:	UL REC. UL 94V-0			
			4<L≤16 ±0.2		MM	PHENOLIC				
			16<L≤63 ±0.3		SCALE:	PIN MATERIAL:	PIN TENSION LOAD: 1.2KG MIN			
智信电子塑胶有限公司 ZHI XIN ELECTRONICS PLASTIC CO., LTD. TEL:0769-86389901-2 FAX:0769-86389903						DATE:	2010.06.12	DRAWING NO.	ZX-25BX	REV. A01