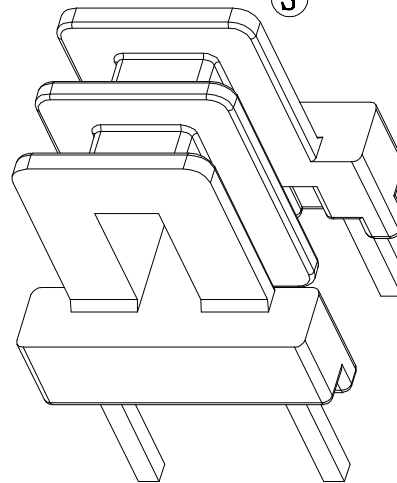
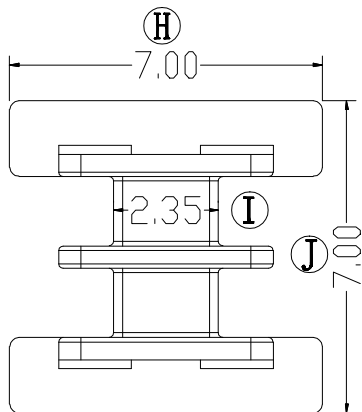
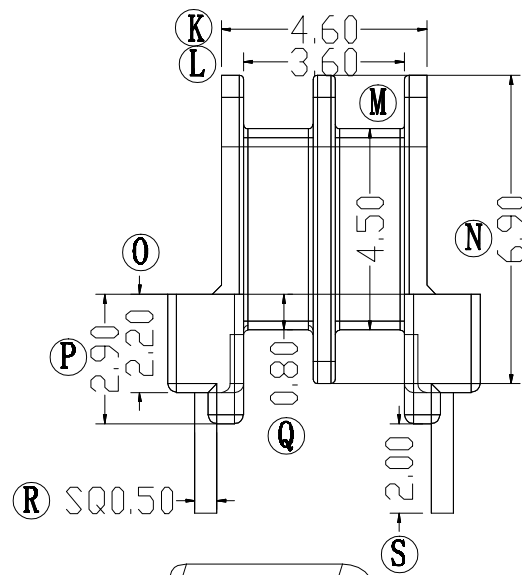
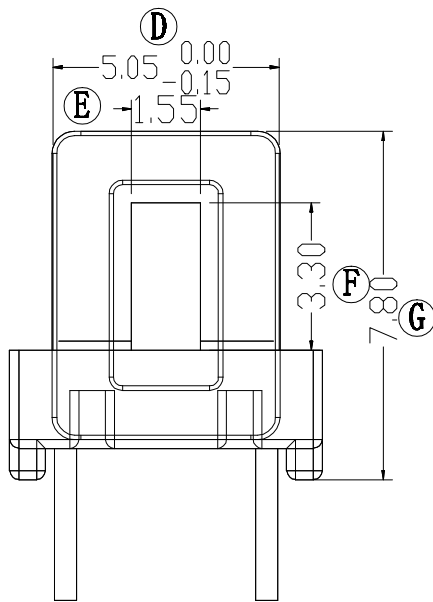
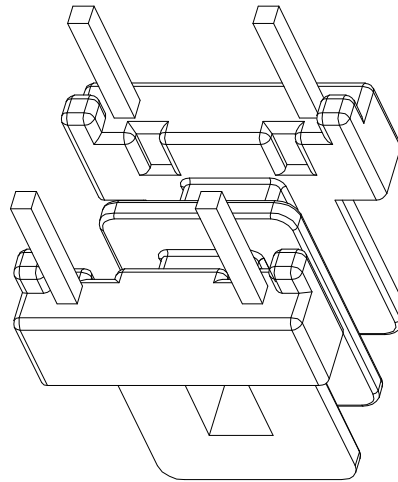
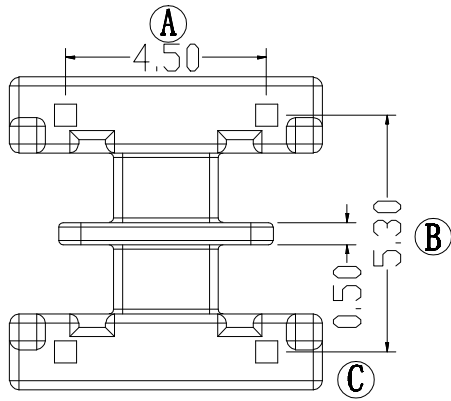


ZX-6M



REV.	REVISIONS	REC.	DATE	REV.	REVISIONS	REC.	DATE
1				4			
2				5			
3				6			
DRAWN & DRAFTED BY		LIU WEI QIANG		TOLERANCES		ANGLE: $\pm 1^\circ$	
CHECKED & APPROVED BY		ZHANG YONG		$0 < L \leq 4 \pm 0.1$ $4 < L \leq 16 \pm 0.2$ $16 < L \leq 63 \pm 0.3$		UNIT: MM SCALE:	
TITLE:		EE-6.5(2+2P)		BOBBIN MATERIAL:		PHENOLIC	
PIN MATERIAL:		CP WIRE		UL REC.		UL 94V-0	
DATE:		2013.07.01		DRAWING NO.		ZX-6M	
PIN TENSION LOAD:		1.0KG MIN		REV.		A01	



智信电子塑胶有限公司
ZHI XIN ELECTRONICS PLASTIC CO., LTD.
 TEL:0769-86389901-2 FAX:0769-86389903

