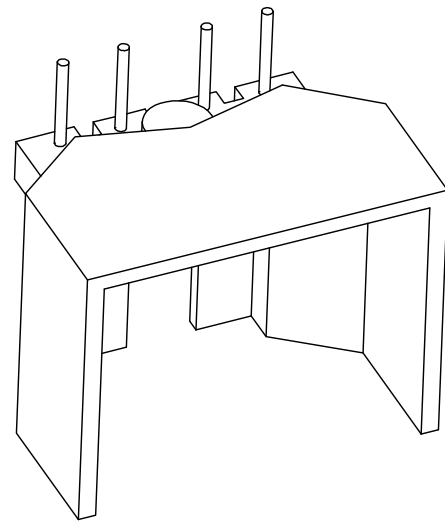
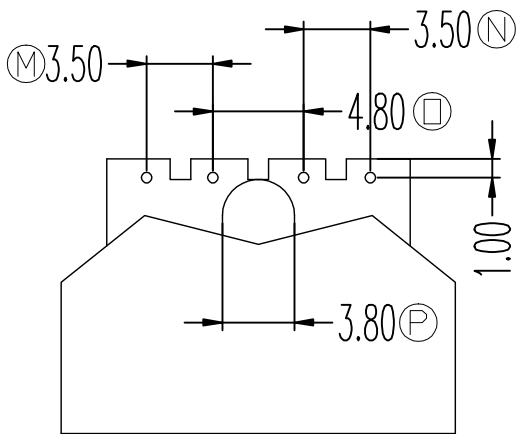
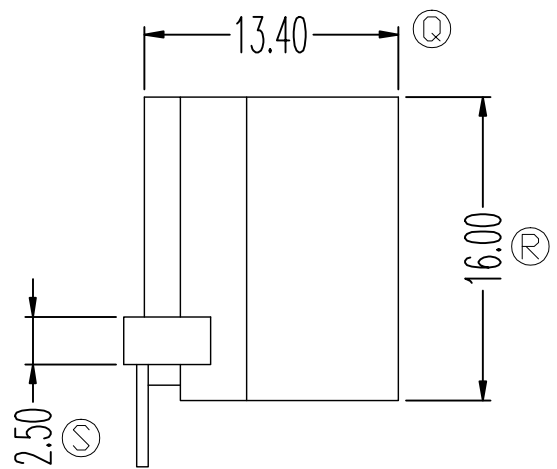
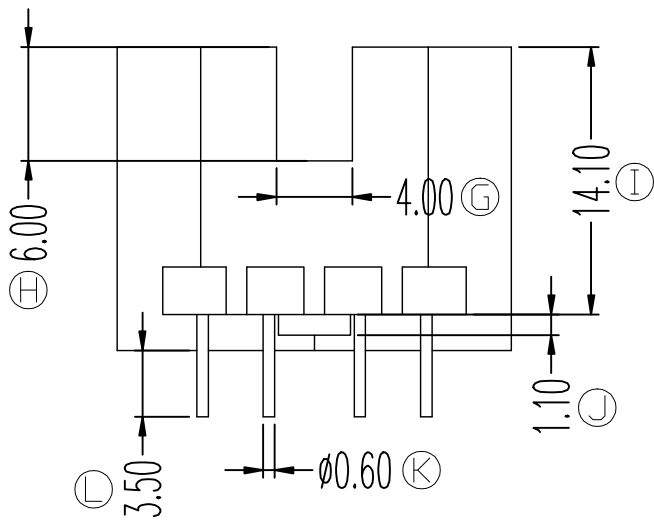
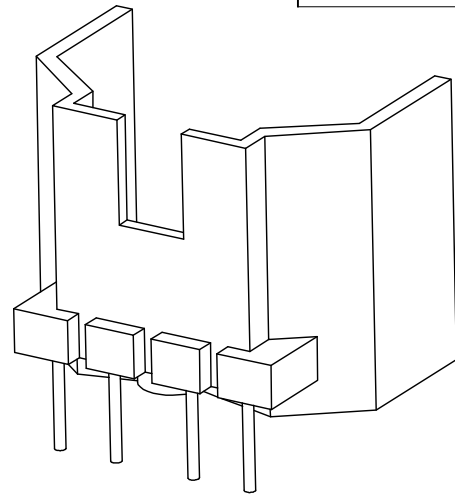
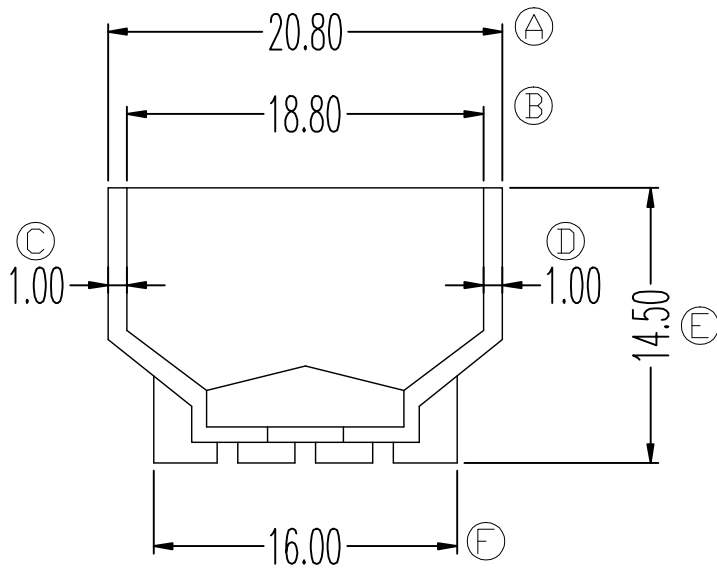


ZX-6P



REV.	REVISIONS	REC.	DATE	REV.	REVISIONS	REC.	DATE
1				4			
2				5			
3				6			
DRAWN & DRAFTED BY		LIU WEI QIANG		TOLERANCES		ANGLE: $\pm 1^\circ$	
CHECKED & APPROVED BY		LIN JUN		$0 < L \leq 4 \pm 0.1$ $4 < L \leq 16 \pm 0.2$ $16 < L \leq 63 \pm 0.3$		pin pitch $\pm 0.2$ UNIT: MM SCALE:	
<b>智信电子塑胶有限公司</b> <b>ZHI XIN ELECTRONICS PLASTIC CO., LTD.</b> TEL: 0769-86389901-2 FAX: 0769-86389903				TITLE: <b>RM-6 CASE(4P)</b> BOBBIN MATERIAL: <b>PHENOLIC</b> PIN MATERIAL: <b>CP WIRE</b>		UL REC. <b>UL 94V-0</b> PIN TENSION LOAD: <b>0.8KG MIN</b>	
				DATE: 2012.12.25		DRAWING NO. ZX-6P	
						REV. A01	