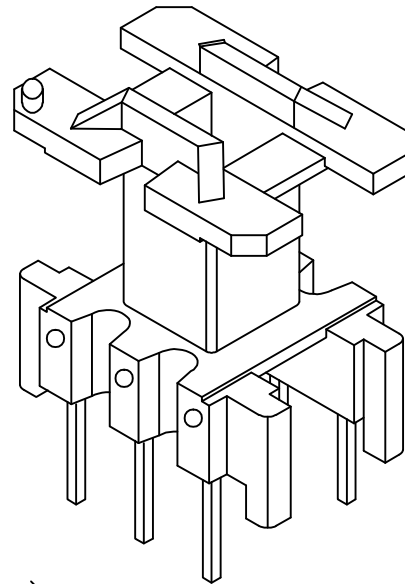
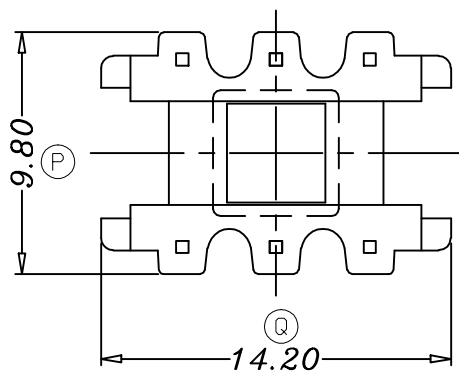
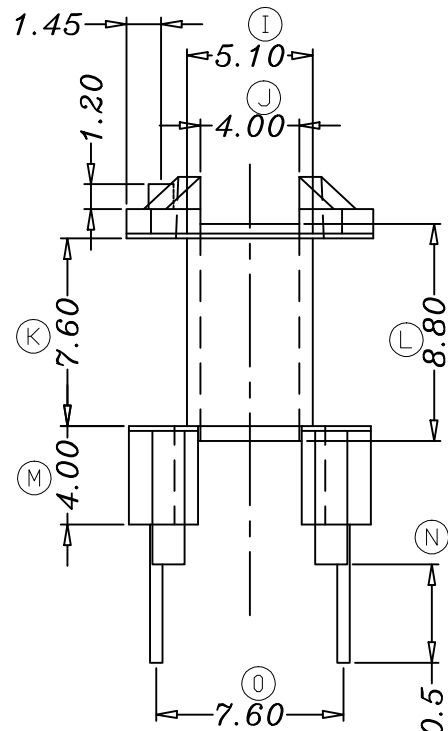
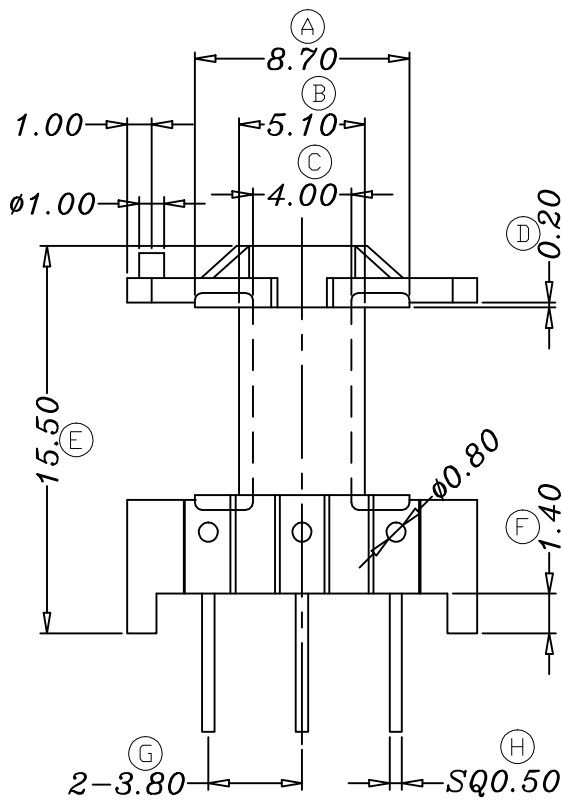


ZX-12.6L



The pin extraction must be >1.5kgf
(as you have put in the specification)

REV.	REVISIONS REC.		DATE	REV.	REVISIONS REC.		DATE
1				4			
2				5			
3				6			
DRAWN & DRAFTED BY		LIU WEI QIANG		TOLERANCES		ANGLE: $\pm 1^\circ$	
CHECKED & APPROVED BY		MA BU JIAN		pin pitch ± 0.2		TITLE: EF-12.6(3+3P)	
		0<L≤4 ±0.1		UNIT: MM		BOBBIN MATERIAL: PET FR530(NC) UL REC. UL 94V-0	
		4<L≤16 ±0.2		SCALE:		PIN MATERIAL: CP WIRE PIN TENSION LOAD: 1.5KG MIN	
		16<L≤63 ±0.3		DATE: 2022.03.07		DRAWING NO. ZX-12.6L	
智信电子塑胶有限公司 ZHI XIN ELECTRONICS PLASTIC CO., LTD. TEL:0769-86389901-2 FAX:0769-86389903				REV. A01			