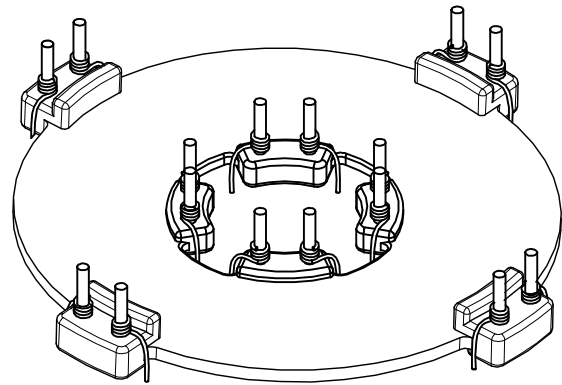
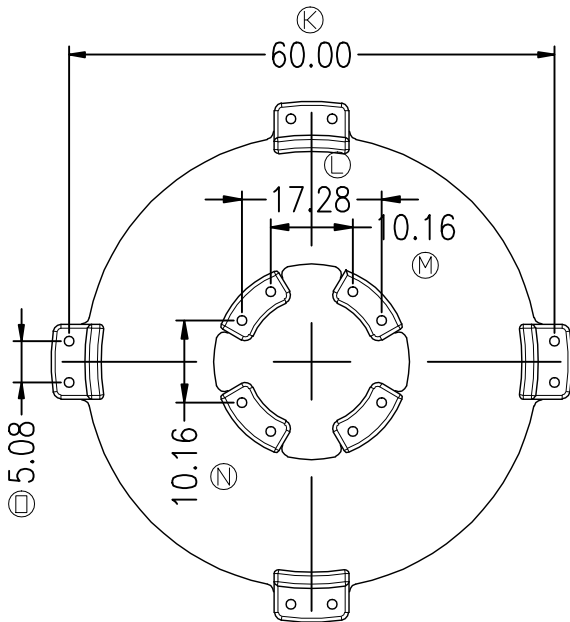
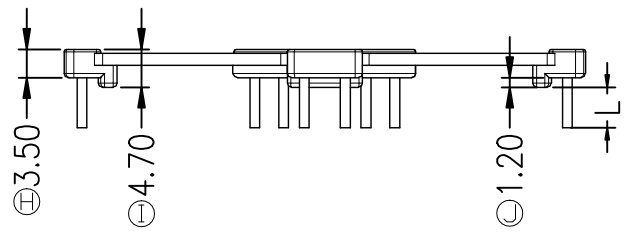
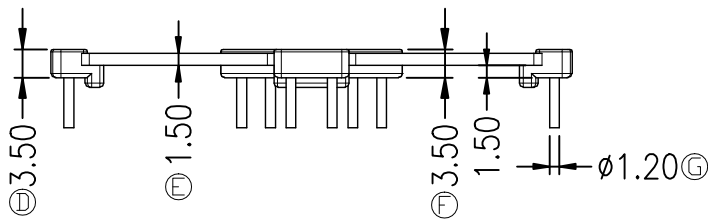
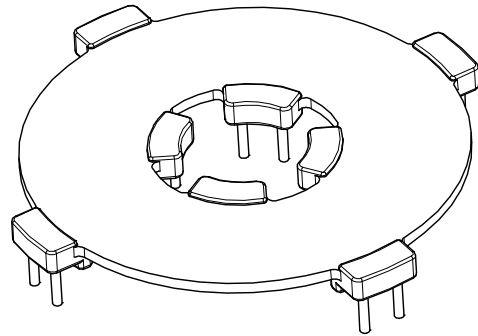
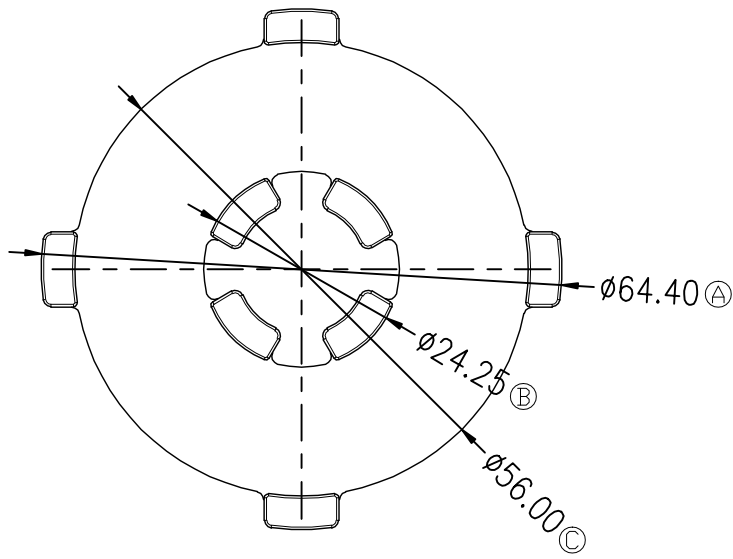


ZX-B137



REV.	REVISIONS	REC.	DATE	REV.	REVISIONS	REC.	DATE
1				4			
2				5			
3				6			
DRAWN & DRAFTED BY		LIU WEI QIANG		TOLERANCES		ANGLE: $\pm 1^\circ$	
CHECKED & APPROVED BY		LIN JUN		0 < L ≤ 4 ± 0.1		TITLE: BASE	
				4 < L ≤ 16 ± 0.2		BOBBIN MATERIAL: PHENOLIC	
				16 < L ≤ 63 ± 0.3		UL REC. UL 94V-0	
				UNIT: MM		PIN MATERIAL: CP WIRE	
				SCALE:		PIN TENSION LOAD: 1.5KG MIN	
				DATE: 2022.03.18		DRAWING NO. ZX-B137	
						REV. A01	



智信电子塑胶有限公司
ZHI XIN ELECTRONICS PLASTIC CO., LTD.
 TEL: 0769-86389901-2 FAX: 0769-86389903



DATE: 2022.03.18

DRAWING NO. ZX-B137

REV. A01