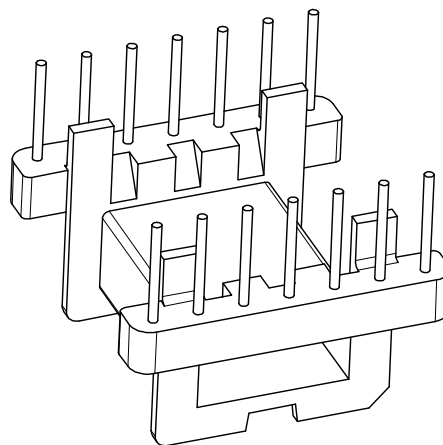
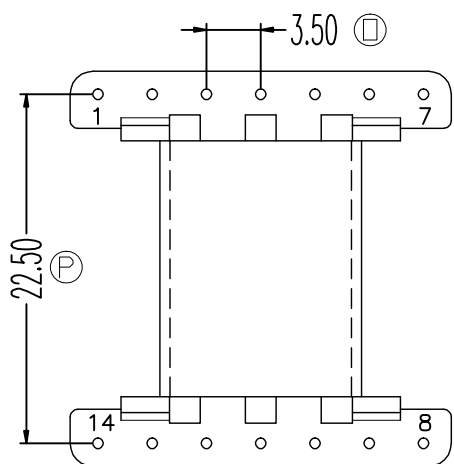
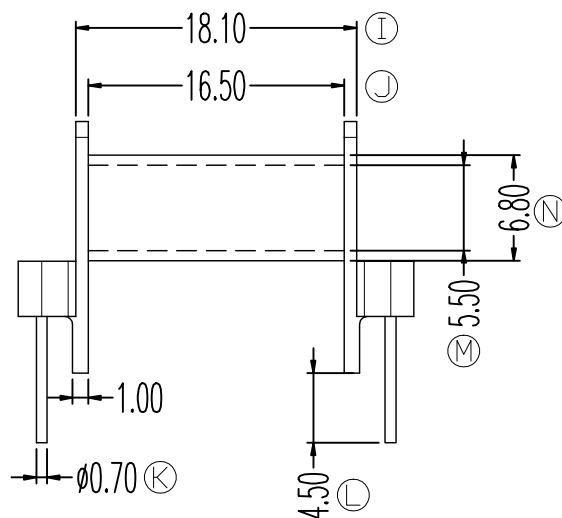
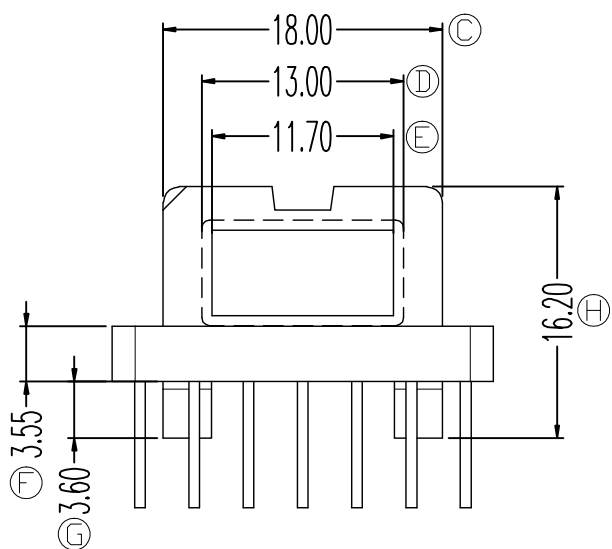
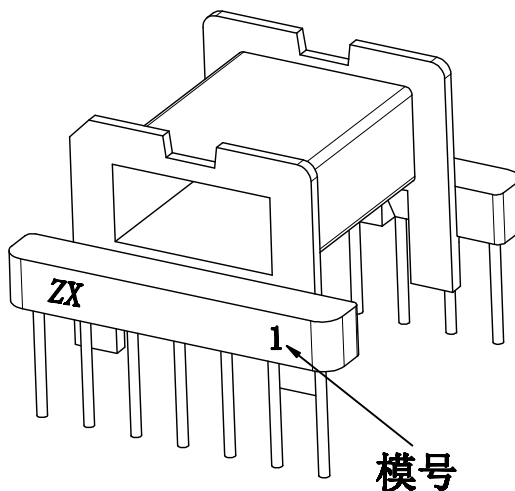
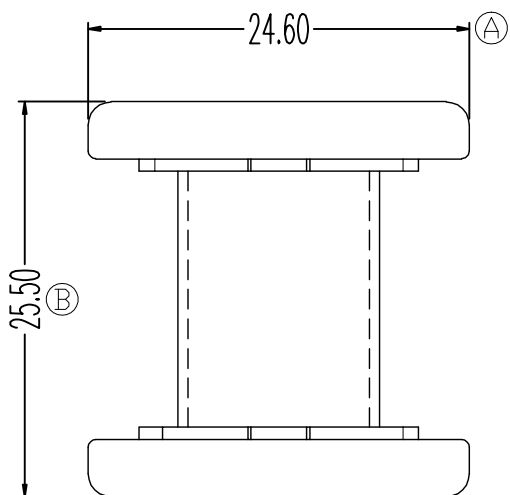


ZX-25CC-1



REV.	REVISIONS	REC.	DATE	REV.	REVISIONS	REC.	DATE
1				4			
2				5			
3				6			
DRAWN & DRAFTED BY	LIU WEI QIANG		TOLERANCES	ANGLE:	TITLE: EFD-25(7+7P)		
CHECKED & APPROVED BY	LIN JUN		0<L≤4 ±0.1	±1°	BOBBIN MATERIAL:	PHENOLIC	
			4<L≤16 ±0.2	UNIT:	UL REC.	UL 94V-0	
			16<L≤63 ±0.3	MM	PIN MATERIAL:	CP WIRE	
智信电子塑胶有限公司			SCALE:	PIN TENSION LOAD:	1.0KG MIN		
ZXE ZHI XIN ELECTRONICS PLASTIC CO., LTD.			DATE:	2022.06.10	DRAWING NO.	ZX-25CC-1	
TEL:0769-86389901-2 FAX:0769-86389903					REV.	A01	