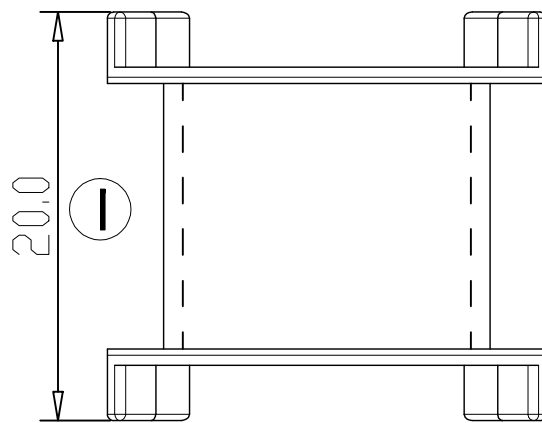
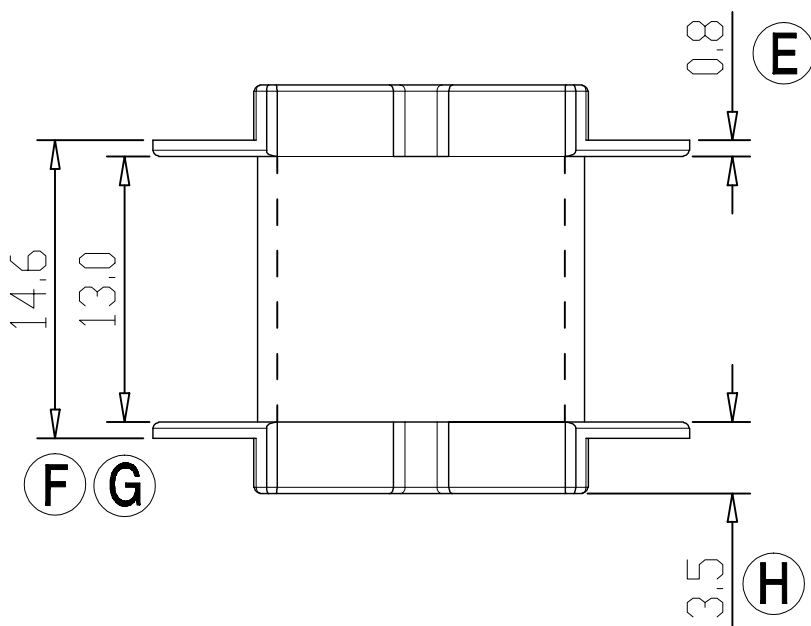
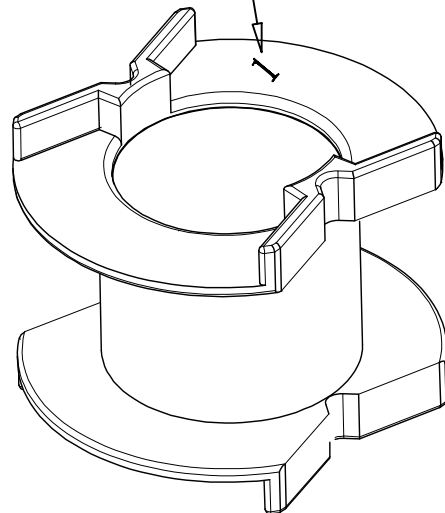
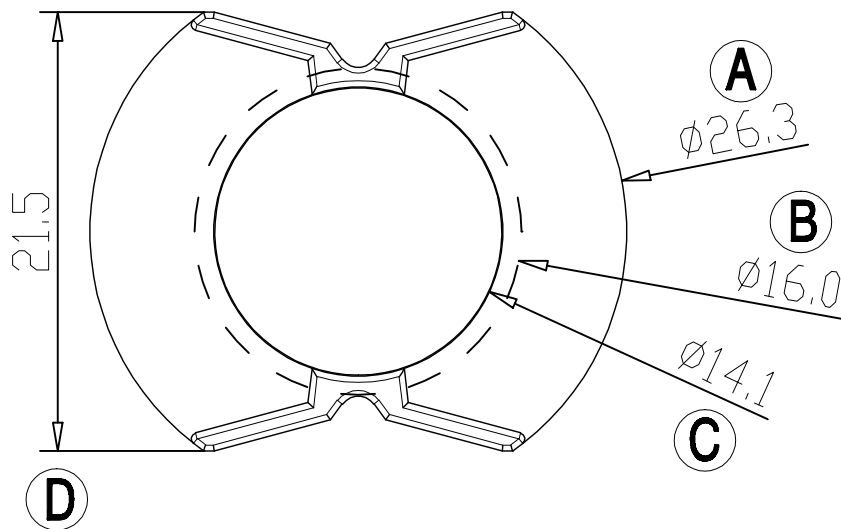


ZX-3220E

模号



REV.	REVISIONS	REC.	DATE	REV.	REVISIONS	REC.	DATE							
1				4										
2				5										
3				6										
DRAWN & DRAFTED BY		LIU WEI QIANG		TOLERANCES		ANGLE: $\pm 1^\circ$								
CHECKED & APPROVED BY		LI JUN		<table border="1"> <tr> <td>$0 < L \leq 4$</td> <td>± 0.1</td> <td rowspan="3">pin pitch ± 0.2</td> </tr> <tr> <td>$4 < L \leq 16$</td> <td>± 0.2</td> </tr> <tr> <td>$16 < L \leq 63$</td> <td>± 0.3</td> </tr> </table>		$0 < L \leq 4$	± 0.1	pin pitch ± 0.2	$4 < L \leq 16$	± 0.2	$16 < L \leq 63$	± 0.3	TITLE: PQ-3220	
$0 < L \leq 4$	± 0.1	pin pitch ± 0.2												
$4 < L \leq 16$	± 0.2													
$16 < L \leq 63$	± 0.3													
SCALE: MM				UNIT: MM		BOBBIN MATERIAL: PHENOLIC								
DATE: 2022.05.30				PIN MATERIAL:		UL REC. UL 94V-0								
DRAWING NO. ZX-3220E				PIN TENSION LOAD:		REV. A01								



智信电子塑胶有限公司
ZHI XIN ELECTRONICS PLASTIC CO., LTD.
TEL:0769-86389901-2 FAX:0769-86389903

