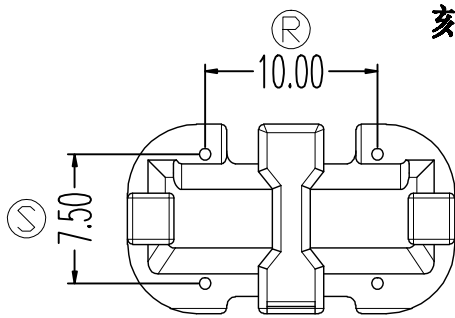
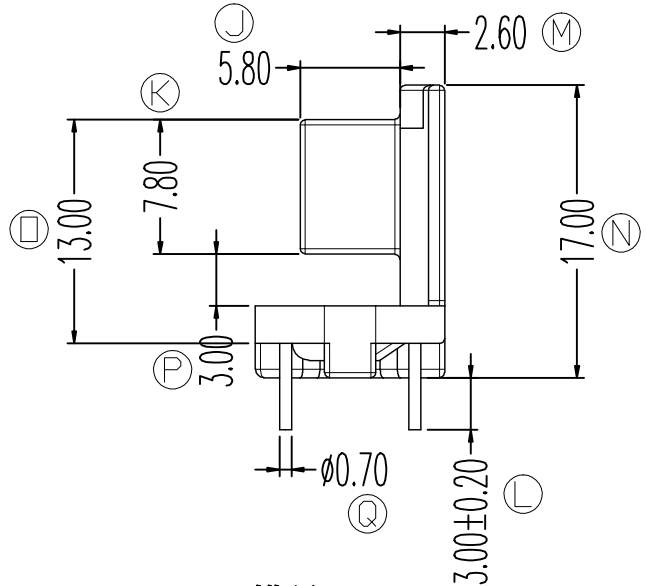
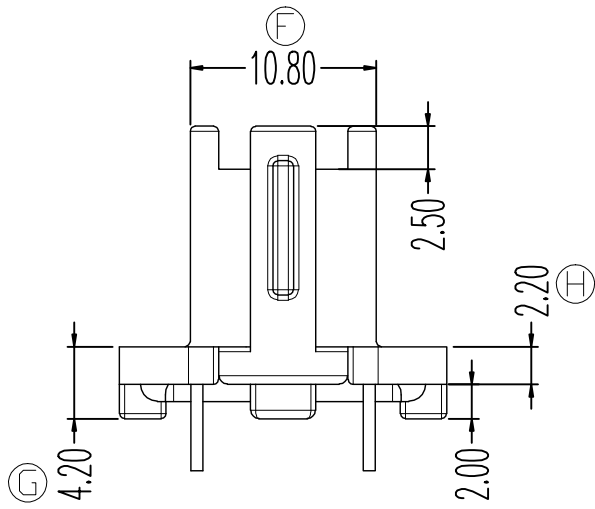
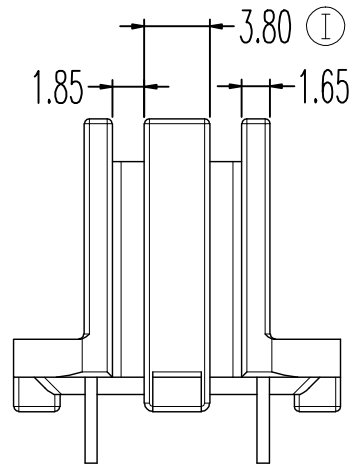
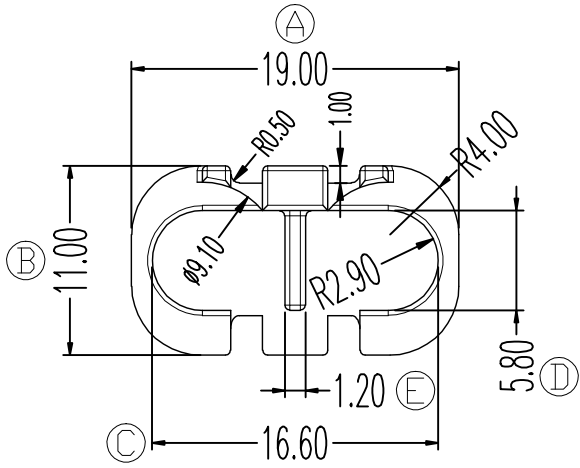
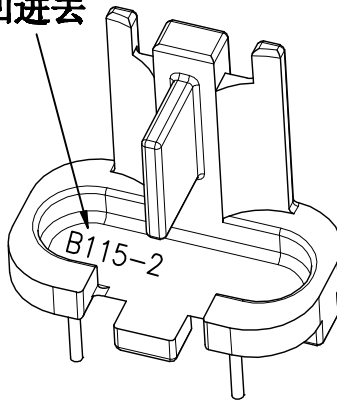


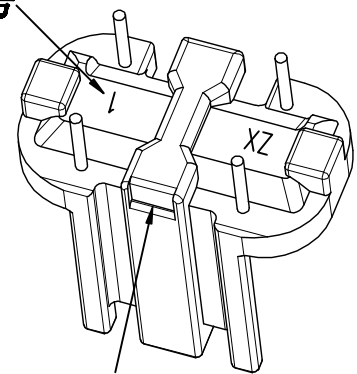
ZX-B115-2



刻字 凹进去



模号



进胶缺口

REV.	REVISIONS REC.		DATE	REV.	REVISIONS REC.		DATE
1				4			
2				5			
3				6			
DRAWN & DRAFTED BY	LIU WEI QIANG		TOLERANCES	ANGLE:	TITLE: SQ-1515(4P)		
CHECKED & APPROVED BY	LIN JUN		0<L≤4 ±0.1 4<L≤16 ±0.2 16<L≤63 ±0.3	±1°	BOBBIN MATERIAL:	PHENOLIC	UL REC. UL 94V-0
智信电子塑胶有限公司			pin pitch ±0.2	UNIT:	CP WIRE	PIN TENSION LOAD: 1.0KG MIN	
ZXE ZHI XIN ELECTRONICS PLASTIC CO., LTD.			SCALE:	MM	DATE:	2022.06.06	DRAWING NO. ZX-B115-2
TEL:0769-86389901-2 FAX:0769-86389903							REV. A01