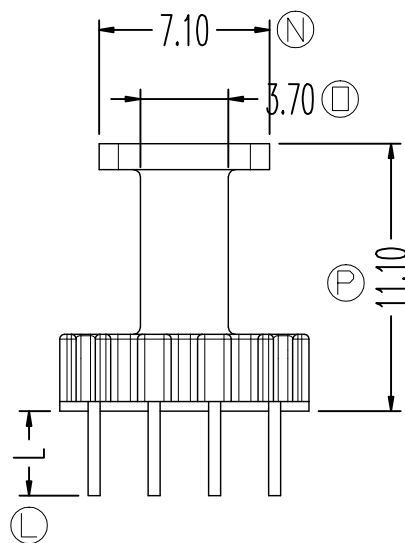
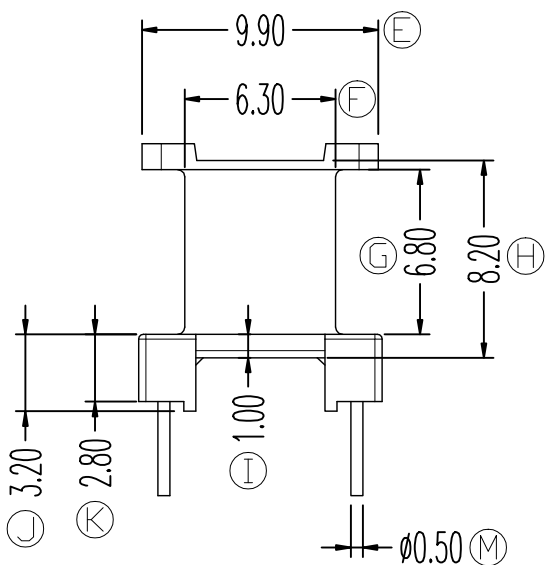
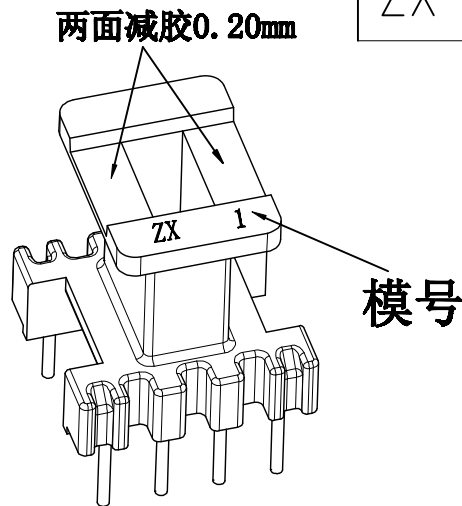
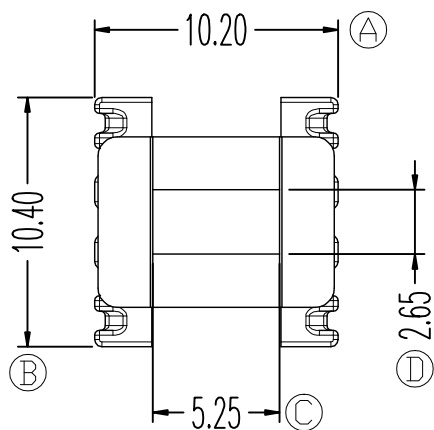
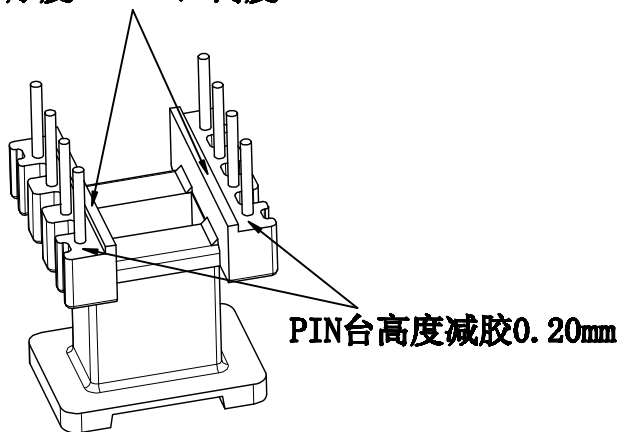
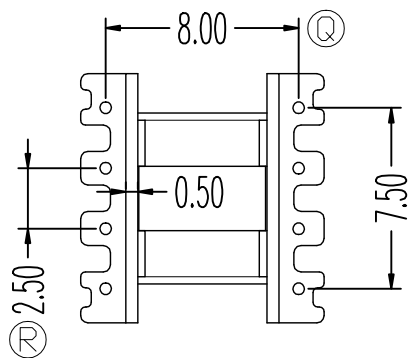


ZX-10AR



删掉原有4个凸点，增加两挡墙，厚度0.50mm，高度0.40mm

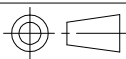


REV.	REVISIONS	REC.	DATE	REV.	REVISIONS	REC.	DATE
1	减胶0.20mm, H尺寸由8.40改为8.20		2022.10.31	4	总高P尺寸由11.50改为11.10, J尺寸3.60改为3.20		2022.10.31
2	PIN台高度减胶0.20mm, K尺寸由3.00改为2.80		2022.10.31	5			
3	删掉原有4个凸点，增加两挡墙，厚度0.50mm		2022.10.31	6			
DRAWN & DRAFTED BY		LIU WEI QIANG		TOLERANCES		ANGLE:	
CHECKED & APPROVED BY		LIN JUN		0<L≤4 ±0.1		±1°	
				4<L≤16 ±0.2		UNIT:	
				16<L≤63 ±0.3		MM	
				pin pitch ±0.2		BOBBIN MATERIAL:	
				SCALE:		PHENOLIC	
						UL REC. UL 94V-0	
						PIN MATERIAL:	
						CP WIRE	
						PIN TENSION LOAD:	
						0.8KG MIN	
				DATE:		DRAWING NO.	
				2022.10.31		ZX-10AR	
						REV.	
						A02	



智信电子塑胶有限公司

ZHI XIN ELECTRONICS PLASTIC CO., LTD.  
TEL:0769-86389901-2 FAX:0769-86389903



DATE: 2022.10.31

DRAWING NO. ZX-10AR

REV. A02