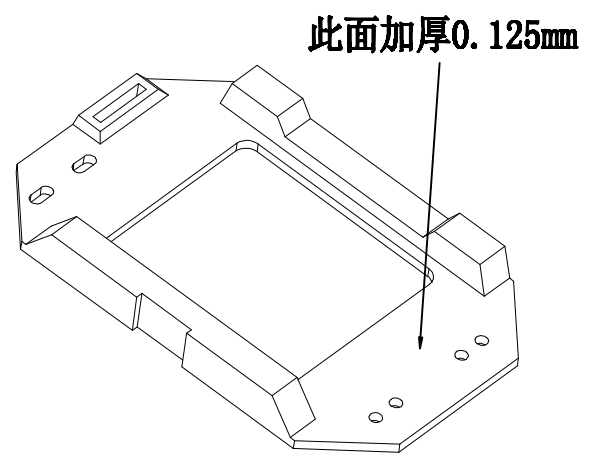
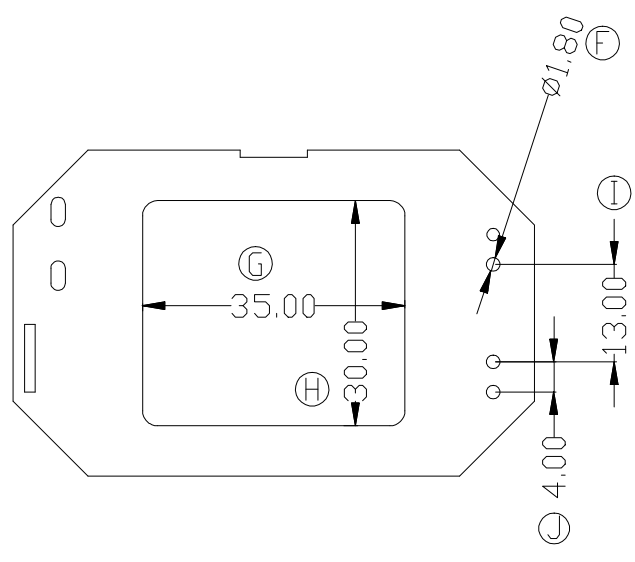
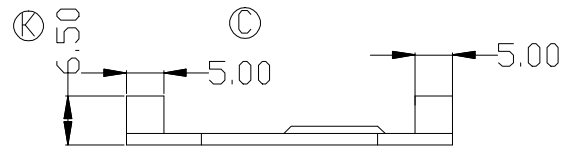
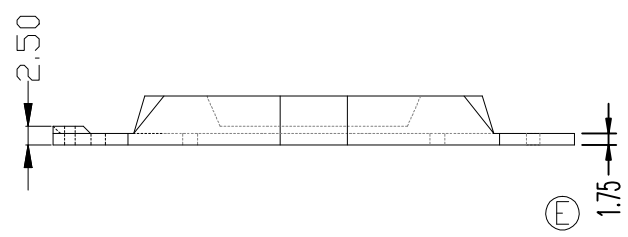
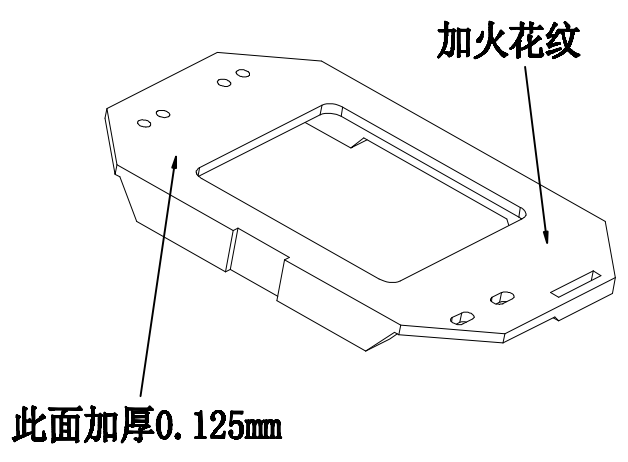
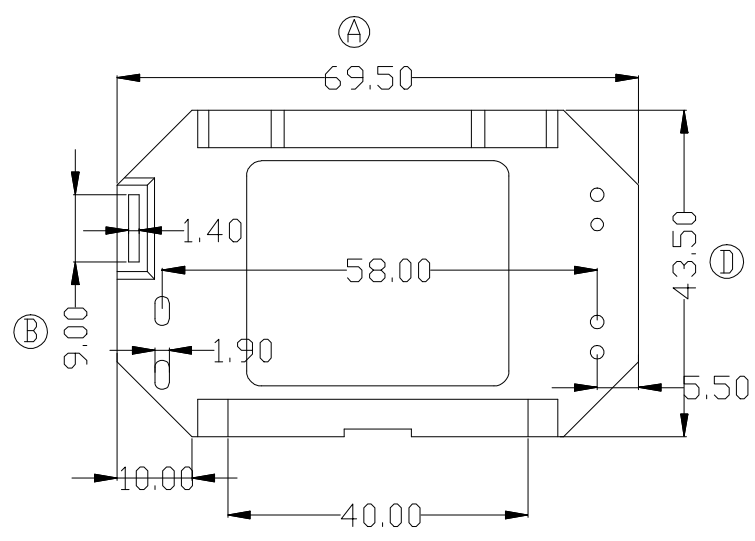


ZX-B094



REV.	REVISIONS	REC.	DATE	REV.	REVISIONS	REC.	DATE
1	两个面加厚0.125mm, (E) 尺寸由1.50改为1.75mm		2022.09.17	4			
2	底面加火花纹		2022.09.17	5			
3				6			
DRAWN & DRAFTED BY		LIU WEI QIANG		TOLERANCES		ANGLE: $\pm 1^\circ$	
CHECKED & APPROVED BY		ZHANG YONG		pin pitch		TITLE: BASE	
		0<L≤4 ±0.1		4<L≤16 ±0.2		BOBBIN MATERIAL: PHENOLIC	
		16<L≤63 ±0.3		±0.2		UL REC. UL 94V-0	
				UNIT: MM		PIN MATERIAL:	
				SCALE:		PIN TENSION LOAD:	
智信电子塑胶有限公司 ZHI XIN ELECTRONICS PLASTIC CO., LTD. TEL:0769-86389901-2 FAX:0769-86389903				DATE: 2022.09.17		DRAWING NO. ZX-B094	
						REV. A02	