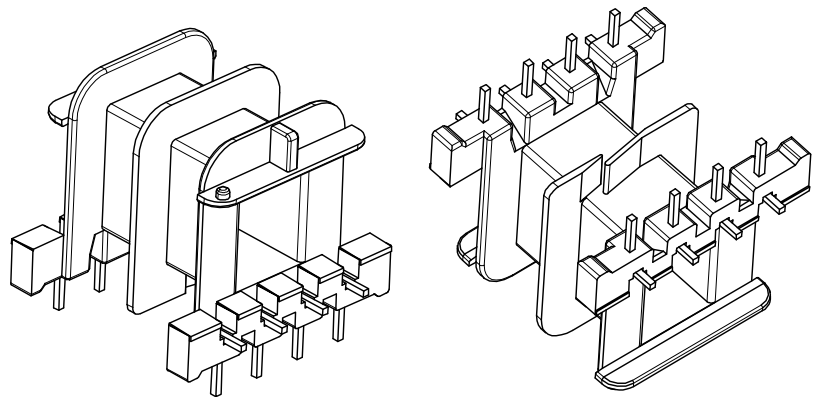
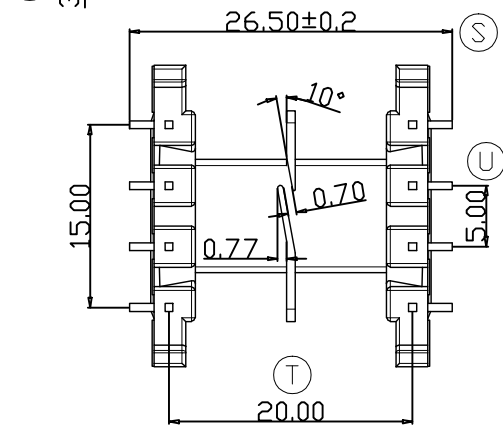
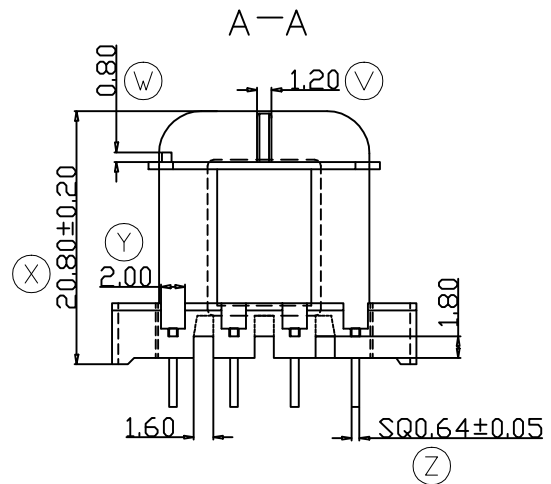
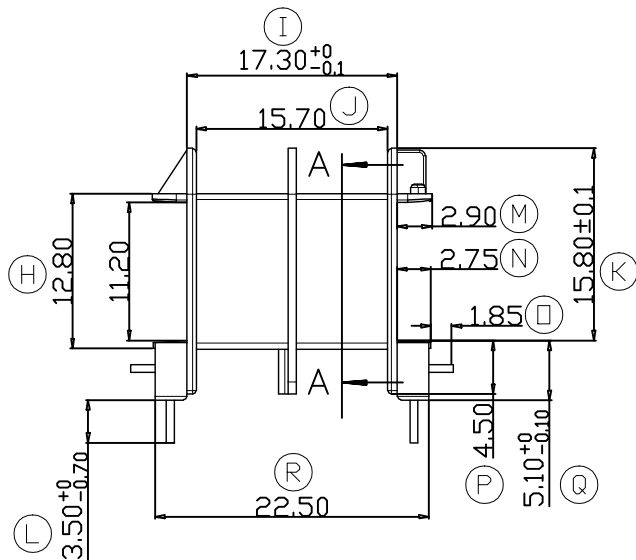
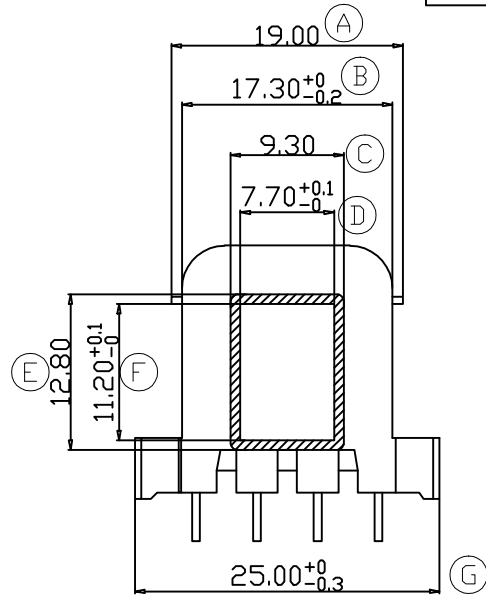
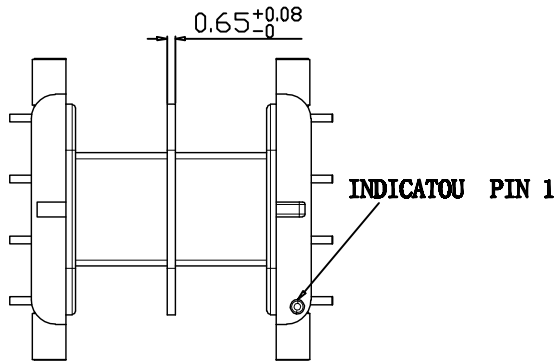


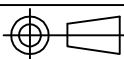
# ZX-25AE-1



REV.	REVISIONS REC.		DATE	REV.	REVISIONS REC.		DATE		
1				4					
2				5					
3				6					
DRAWN & DRAFTED BY		LIU WEI QIANG		TOLERANCES		ANGLE: ±1°		TITLE: EF-25(4+4P)2S	
CHECKED & APPROVED BY		LI JUN		0<L≤4 ±0.1 4<L≤16 ±0.2 16<L≤63 ±0.3		pin pitch ±0.2		BOBBIN MATERIAL: PET FR530(BK) UL REC. UL 94V-0	
				UNIT: MM		PIN MATERIAL: CP WIRE		PIN TENSION LOAD: 1.2KG MIN	
				SCALE:		DATE: 2022.12.21		DRAWING NO. ZX-25AE-1	
				REV. A01					



**智信电子塑胶有限公司**  
ZHI XIN ELECTRONICS PLASTIC CO., LTD.  
TEL:0769-86389901-2 FAX:0769-86389903



REV. A01