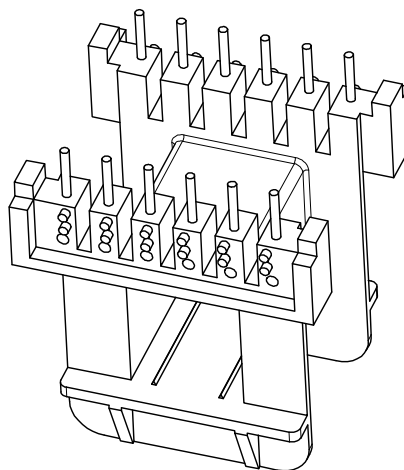
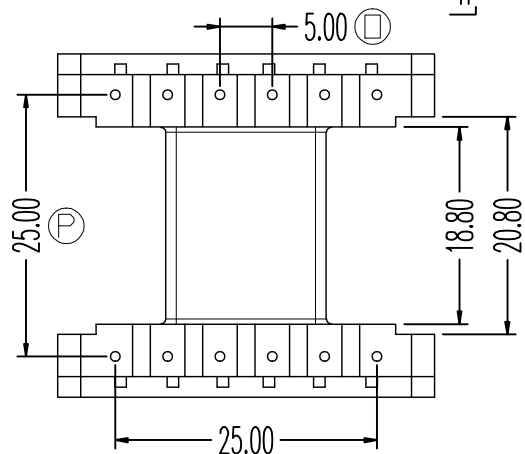
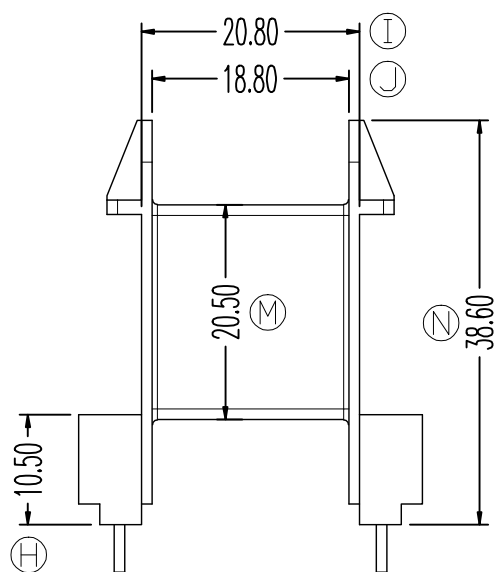
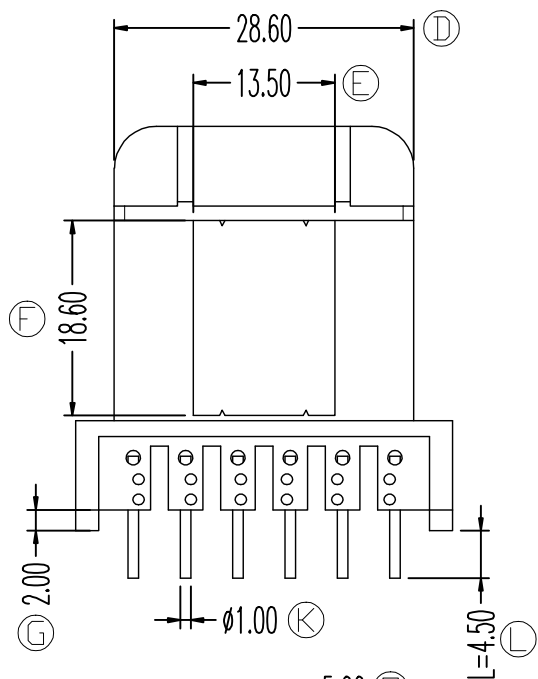
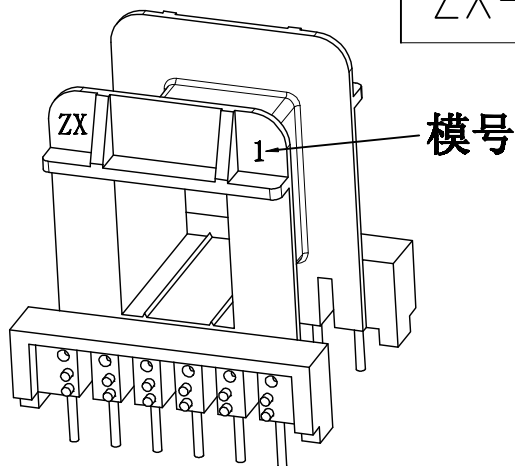
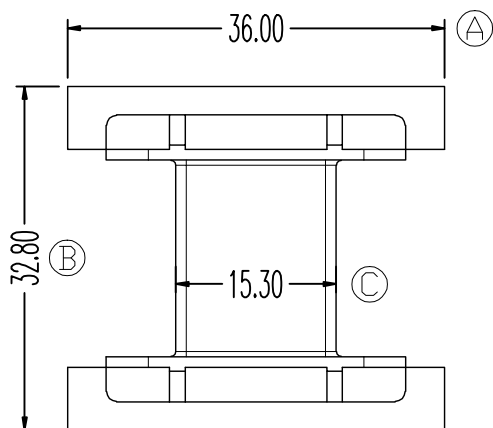


ZX-41M



REV.	REVISIONS	REC.	DATE	REV.	REVISIONS	REC.	DATE
1				4			
2				5			
3				6			
DRAWN & DRAFTED BY	LIU WEI QIANG	TOLERANCES		ANGLE:	TITLE: EI41X18 BOBBIN(6+6P)		
CHECKED & APPROVED BY	LIN JUN	0<L≤4 ±0.1	pin pitch ±0.2	UNIT:	BOBBIN MATERIAL: PBT(BK)	UL REC. UL 94V-0	
		4<L≤16 ±0.2		SCALE:	PIN MATERIAL: CP WIRE	PIN TENSION LOAD: 1.5KG MIN	
		16<L≤63 ±0.3			DATE: 2023.04.01	DRAWING NO. ZX-41M	REV. A01



智信电子塑胶有限公司
ZHI XIN ELECTRONICS PLASTIC CO., LTD.
 TEL:0769-86389901-2 FAX:0769-86389903

