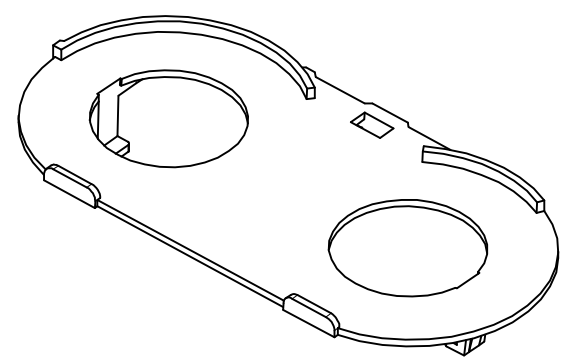
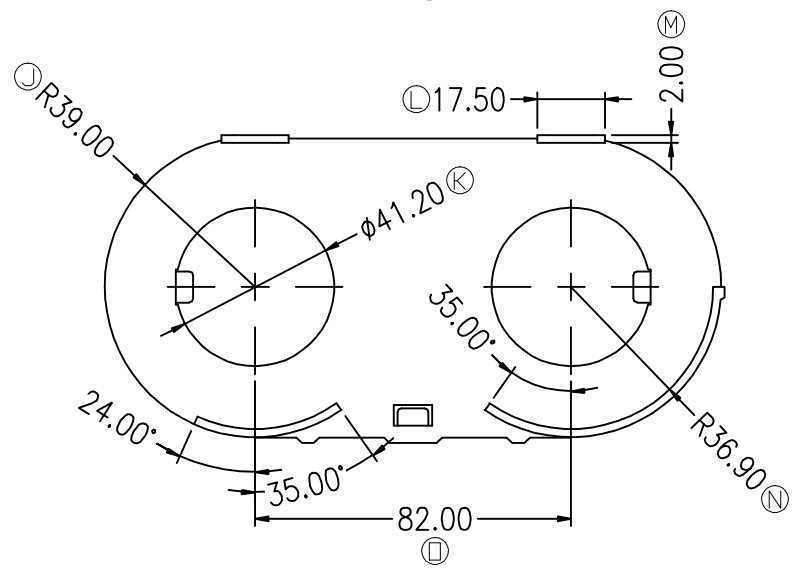
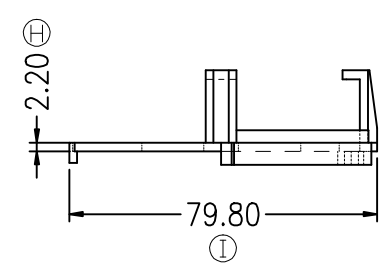
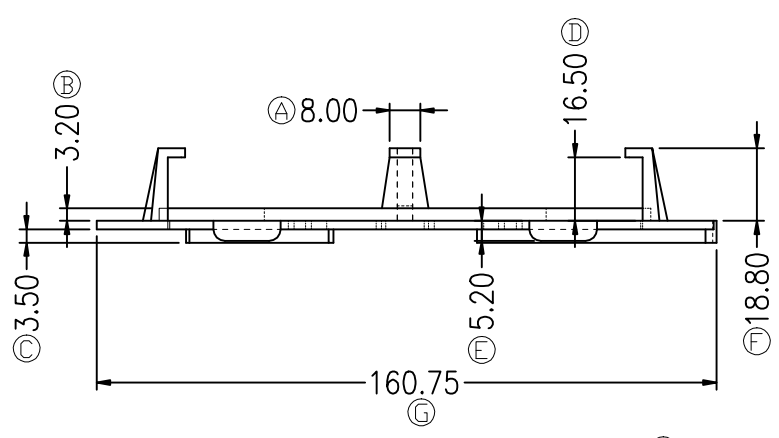
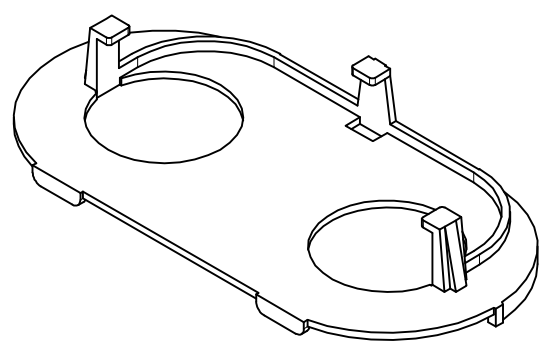
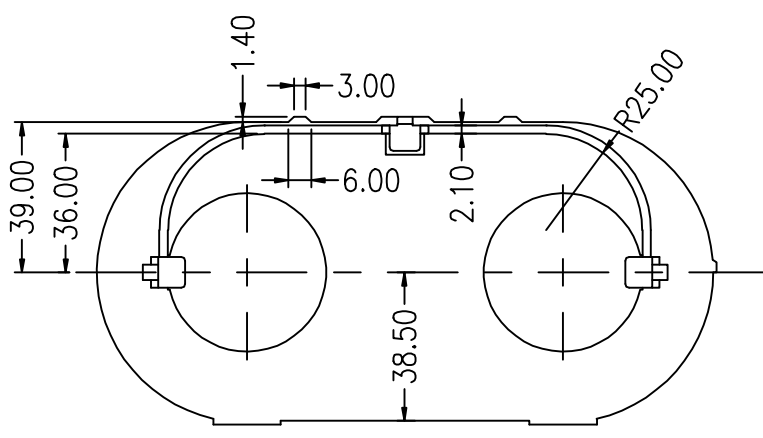


ZX-B144



REV.	REVISIONS		REC.	DATE	REV.	REVISIONS		REC.	DATE
1					4				
2					5				
3					6				
DRAWN & DRAFTED BY		LIU WEI QIANG		TOLERANCES		ANGLE:		TITLE:	
CHECKED & APPROVED BY		LIN JUN		0 < L ≤ 4 ±0.1		±1°		2B-122001FN(BN)	
				4 < L ≤ 16 ±0.2		UNIT:		BOBBIN MATERIAL:	
				16 < L ≤ 63 ±0.3		MM		PET FR530(BK)	
				pin pitch ±0.2		SCALE:		UL REC. UL 94V-0	
						PIN MATERIAL:		PIN TENSION LOAD:	
						DATE:		DRAWING NO.	
						2023.02.27		ZX-B144	
								REV. A01	

ZXE 智信电子塑胶有限公司
 ZHI XIN ELECTRONICS PLASTIC CO., LTD.
 TEL: 0769-86389901-2 FAX: 0769-86389903