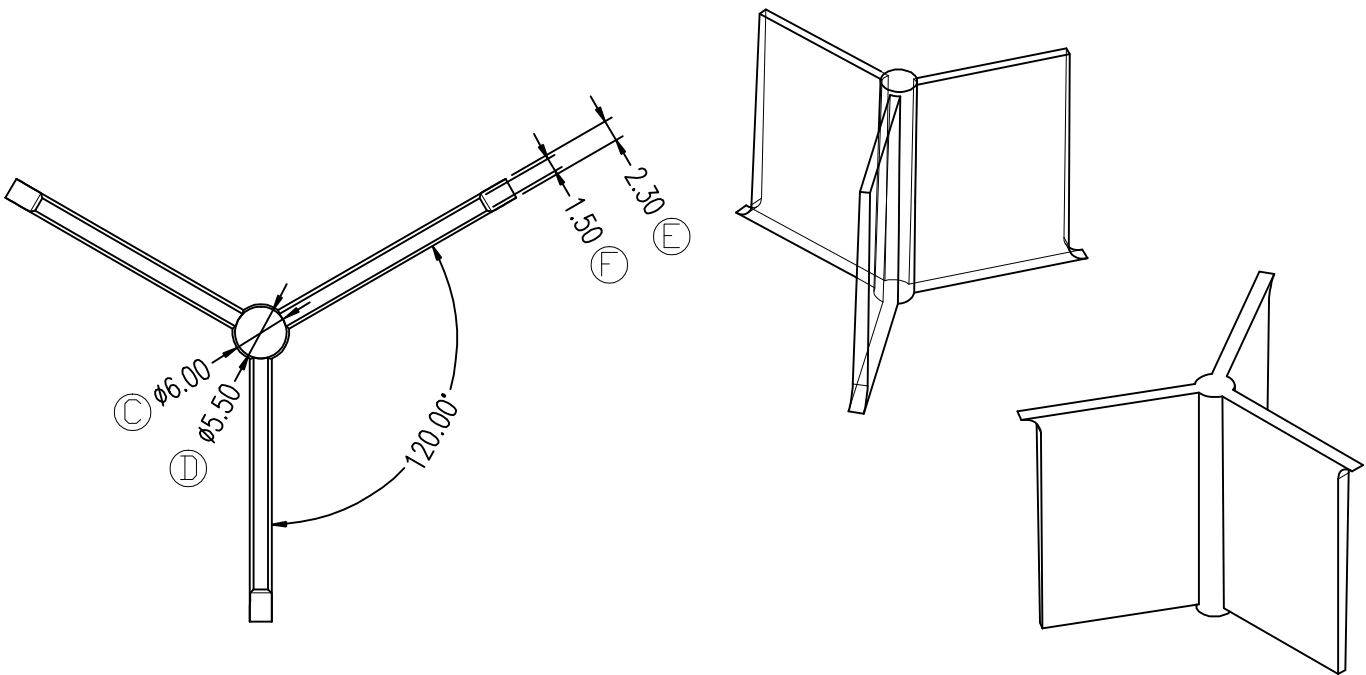
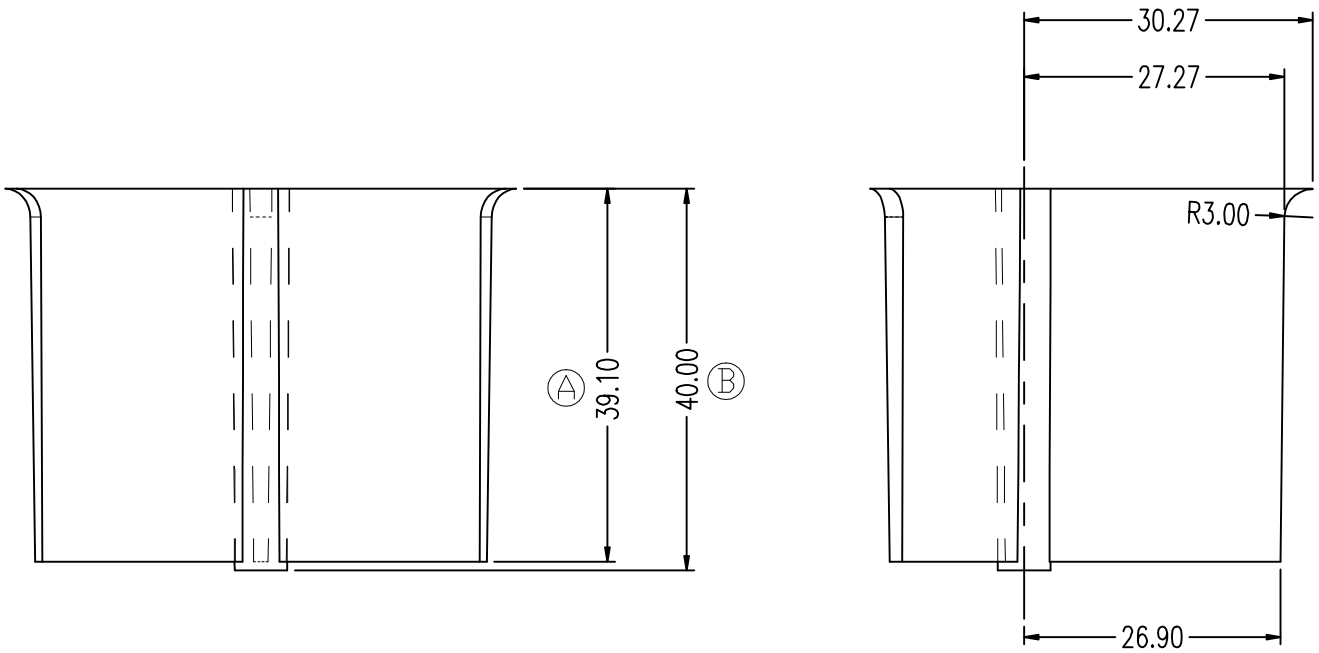


ZX-B146-1



REV.	REVISIONS REC.		DATE	REV.	REVISIONS REC.		DATE												
1				4															
2				5															
3				6															
DRAWN & DRAFTED BY		LIU WEI QIANG		TOLERANCES		ANGLE: $\pm 1^\circ$		TITLE: BASE-1											
CHECKED & APPROVED BY		LIN JUN		<table border="1"> <tr> <td>0 < L ≤ 4</td> <td>±0.1</td> </tr> <tr> <td>4 < L ≤ 16</td> <td>±0.2</td> </tr> <tr> <td>16 < L ≤ 63</td> <td>±0.3</td> </tr> </table>		0 < L ≤ 4	±0.1	4 < L ≤ 16	±0.2	16 < L ≤ 63	±0.3	pin pitch ±0.2		UNIT: MM		BOBBIN MATERIAL: PBT(BK)		UL REC. UL 94V-0	
0 < L ≤ 4	±0.1																		
4 < L ≤ 16	±0.2																		
16 < L ≤ 63	±0.3																		
SCALE:				PIN MATERIAL:		PIN TENSION LOAD:													
智信电子塑胶有限公司 ZHI XIN ELECTRONICS PLASTIC CO., LTD. TEL: 0769-86389901-2 FAX: 0769-86389903				DATE: 2022.11.11		DRAWING NO. ZX-B146-1		REV. A01											