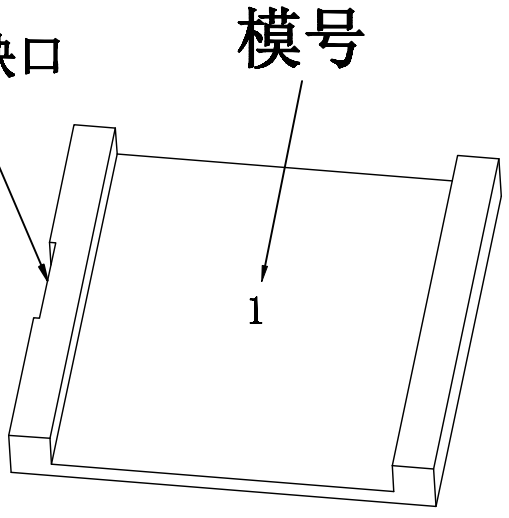
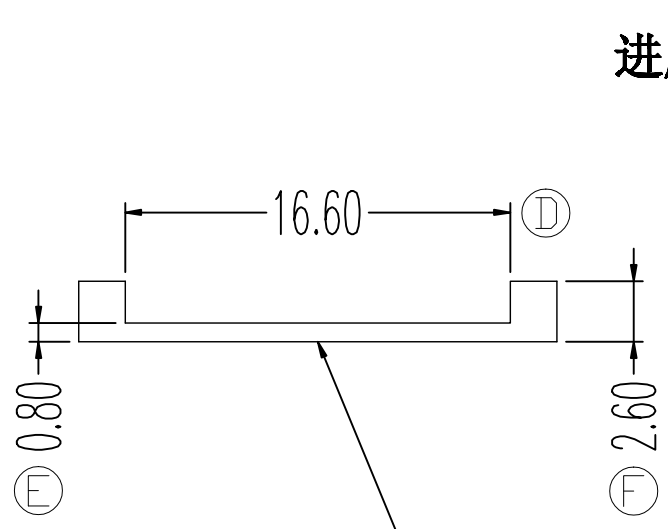
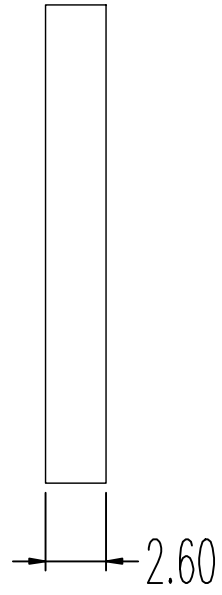
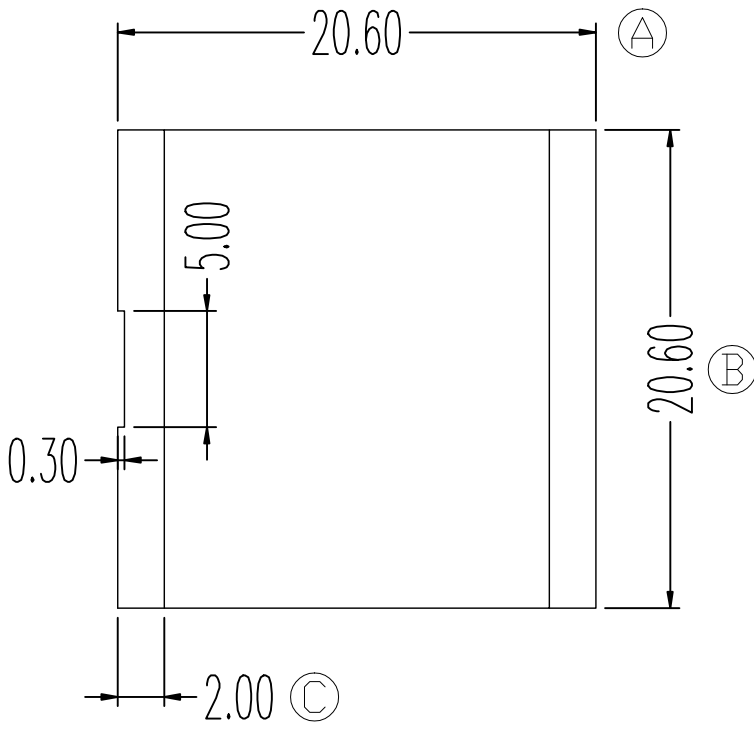


ZX-B150



平整度小于0.12mm

REV.	REVISIONS REC.		DATE	REV.	REVISIONS REC.		DATE
1				4			
2				5			
3				6			
DRAWN & DRAFTED BY		LIU WEI QIANG		TOLERANCES		ANGLE: $\pm 1^\circ$	
CHECKED & APPROVED BY		LIN JUN		0 < L ≤ 4 ±0.1		pin pitch	
				4 < L ≤ 16 ±0.2		±0.2	
				16 < L ≤ 63 ±0.3			
UNIT: MM				TITLE: 环氧板			
SCALE:				BOBBIN MATERIAL: PHENOLIC		UL REC. UL 94V-0	
				PIN MATERIAL:		PIN TENSION LOAD:	
DATE: 2023.03.21				DRAWING NO. ZX-B150		REV. A01	

ZXE 智信电子塑胶有限公司
ZHI XIN ELECTRONICS PLASTIC CO., LTD.
 TEL:0769-86389901-2 FAX:0769-86389903