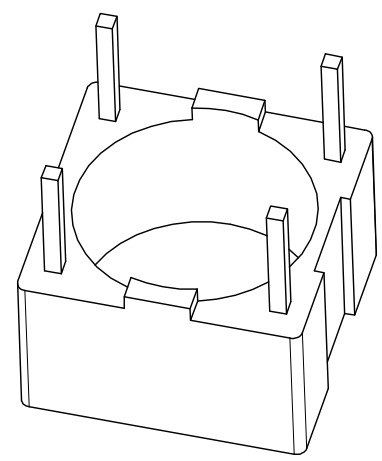
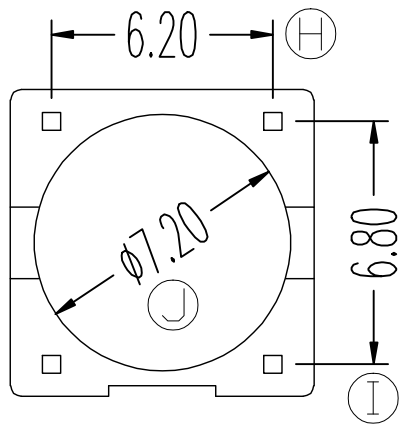
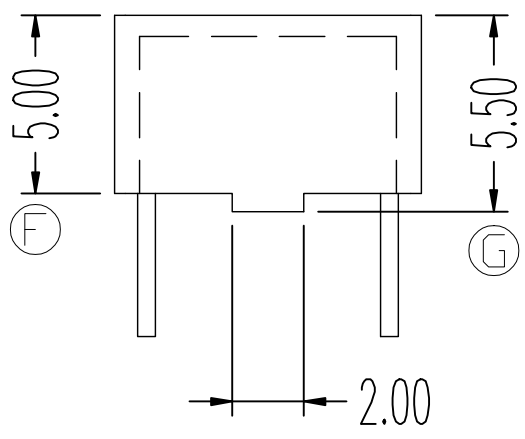
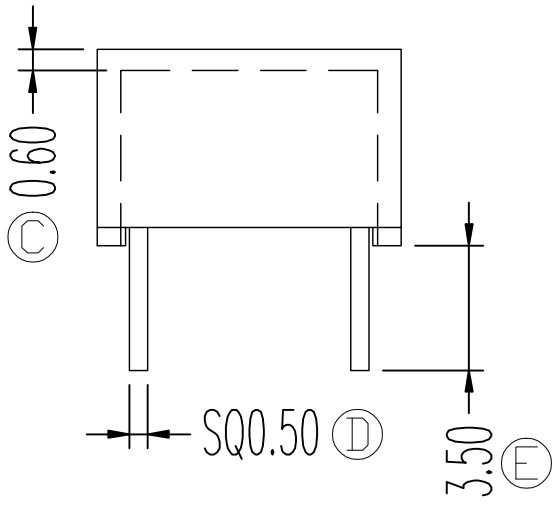
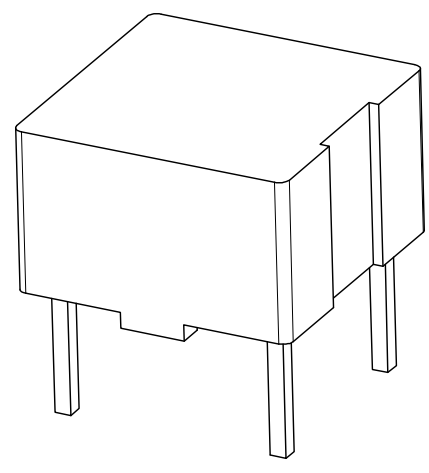
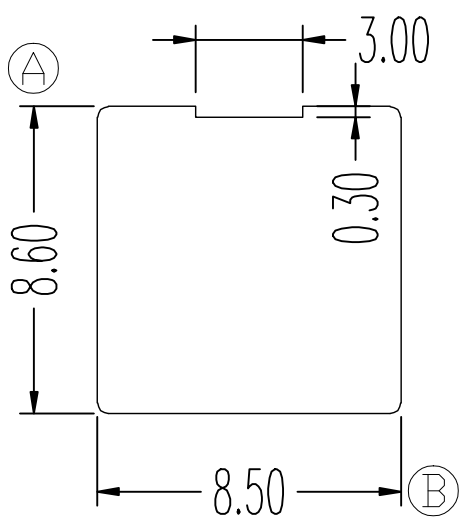


ZX-C084



REV.	REVISIONS REC.		DATE	REV.	REVISIONS REC.		DATE		
1				4					
2				5					
3				6					
DRAWN & DRAFTED BY		LIU WEI QIANG		TOLERANCES		ANGLE: $\pm 1^\circ$		TITLE: CASE(2+2P)	
CHECKED & APPROVED BY		ZHANG YONG		$0 < L \leq 4 \pm 0.1$ $4 < L \leq 16 \pm 0.2$ $16 < L \leq 63 \pm 0.3$		pin pitch $\pm 0.2$		UNIT: MM	
				SCALE:		PIN MATERIAL: CP WIRE		BOBBIN MATERIAL: PHENOLIC	
						PIN TENSION LOAD: 0.8KG MIN		UL REC. UL 94V-0	
<b>智信电子塑胶有限公司</b> ZHI XIN ELECTRONICS PLASTIC CO., LTD. TEL:0769-86389901-2 FAX:0769-86389903						DATE: 2023.01.09		DRAWING NO. ZX-C084	
								REV. A01	