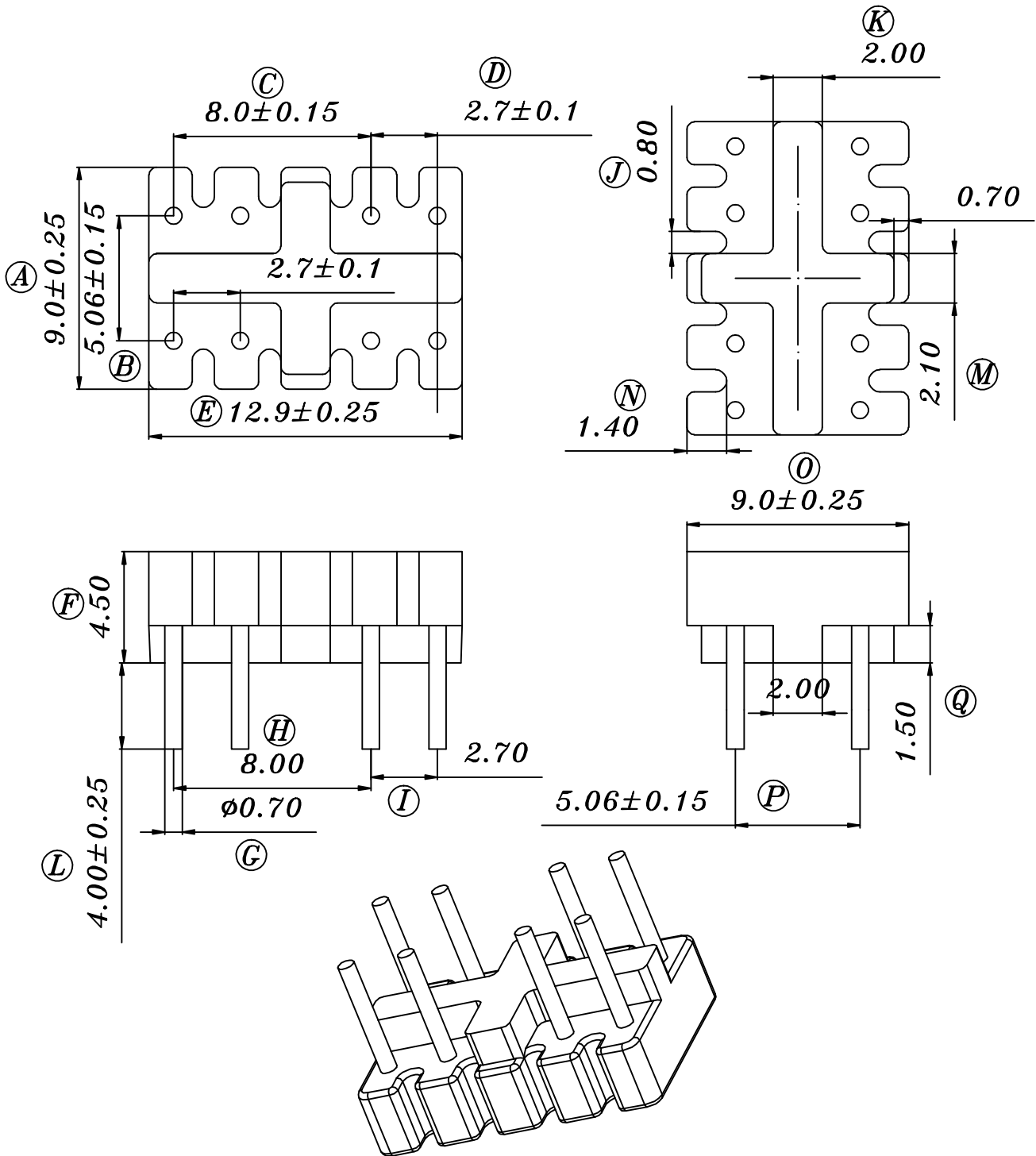


# ZX-B054



REV.	REVISIONS REC.	DATE	REV.	REVISIONS REC.	DATE
1	变更: 由3+3变更为4+4	2013.12.9	4		
2	E尺寸由12.7改为12.9	2019.5.24	5		
3	M尺寸由2.0改为2.1	2019.5.24	6		
DRAWN & DRAFTED BY		TOLERANCES		ANGLE:	
LIU WEI QIANG		0<L≤4 ±0.1		±1°	
CHECKED & APPROVED BY		4<L≤16 ±0.2		UNIT:	
MA BU JIAN		16<L≤63 ±0.3		MM	
TITLE:		BOBBIN MATERIAL:		UL REC.	
BASE(4+4P)		PHENOLIC		UL 94V-0	
SCALE:		PIN MATERIAL:		PIN TENSION LOAD:	
		CP WIRE		1.0KG MIN	
DATE:		DRAWING NO.		REV.	
2019.05.24		ZX-B054		A02	



智信电子塑胶有限公司  
 ZHI XIN ELECTRONICS PLASTIC CO., LTD.  
 TEL:0769-86389901-2 FAX:0769-86389903

