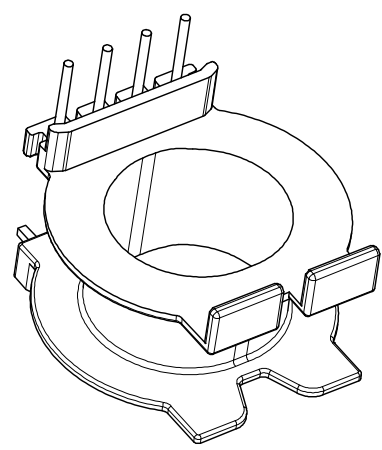
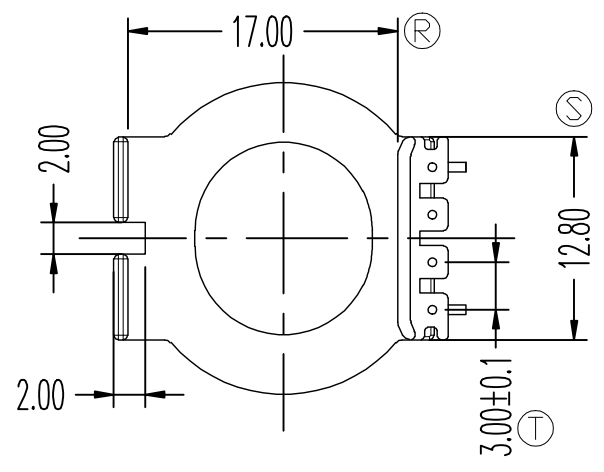
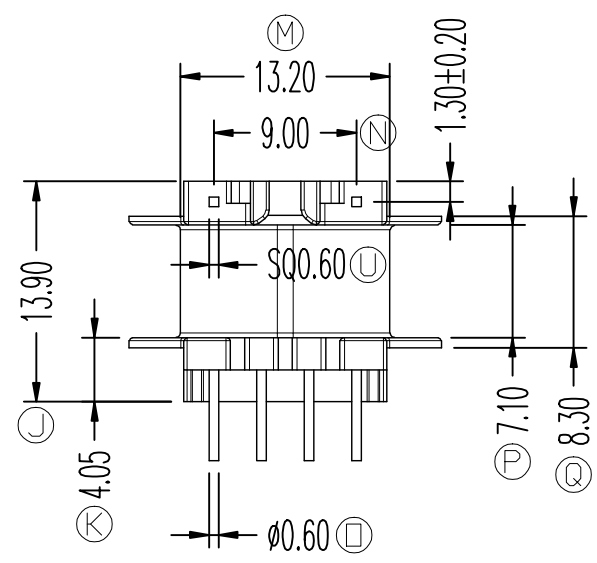
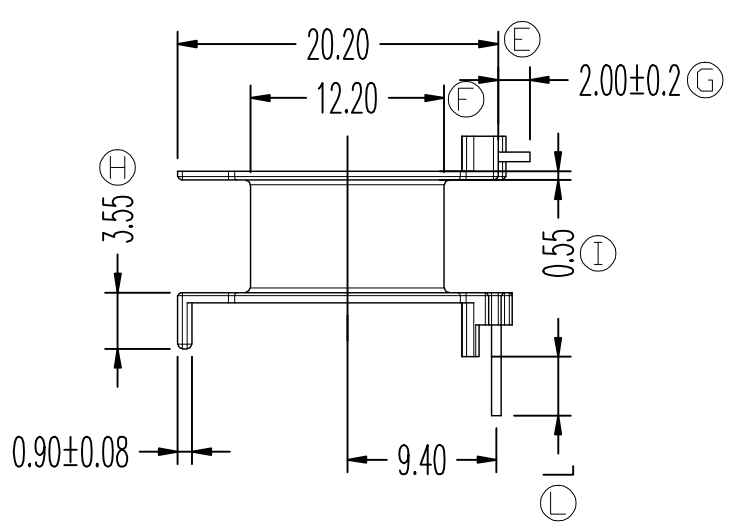
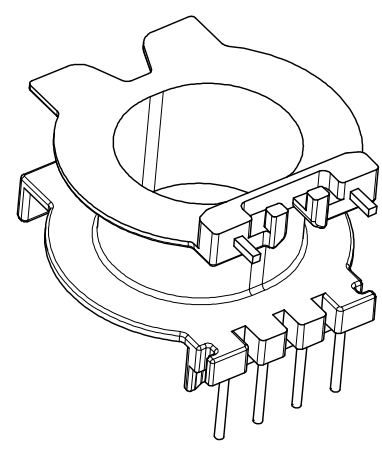
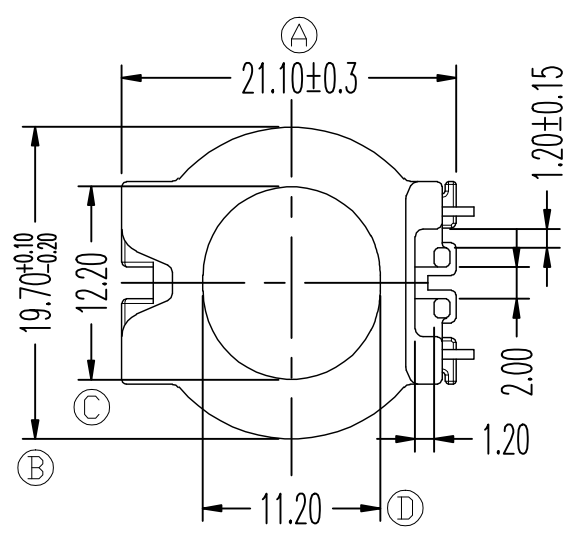


ZX-23C



REV.	REVISIONS	REC.	DATE	REV.	REVISIONS	REC.	DATE
1				4			
2				5			
3				6			
DRAWN & DRAFTED BY		LIU WEI QIANG		TITLE:		ATQ-23.2/13.6	
CHECKED & APPROVED BY		LIN JUN		BOBBIN MATERIAL:		PHENOLIC	
		TOLERANCES		UNIT:		MM	
		0<L≤4 ±0.1		SCALE:		PIN MATERIAL:	
		4<L≤16 ±0.2		DATE:		2023.05.29	
		16<L≤63 ±0.3		DRAWING NO.:		ZX-23C	
		pin pitch ±0.2		REV.:		A01	
				PIN TENSION LOAD:		1.0KG MIN	
<b>智信电子塑胶有限公司</b> ZHI XIN ELECTRONICS PLASTIC CO., LTD. TEL:0769-86389901-2 FAX:0769-86389903							