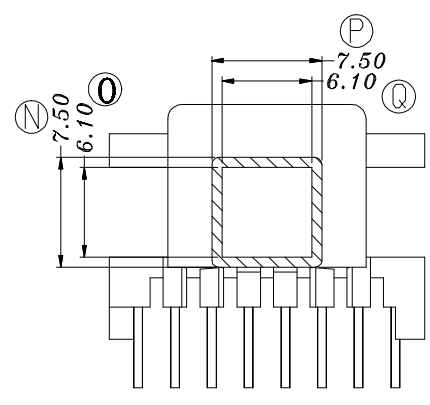
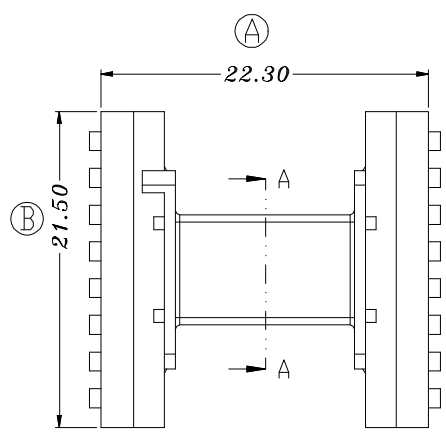
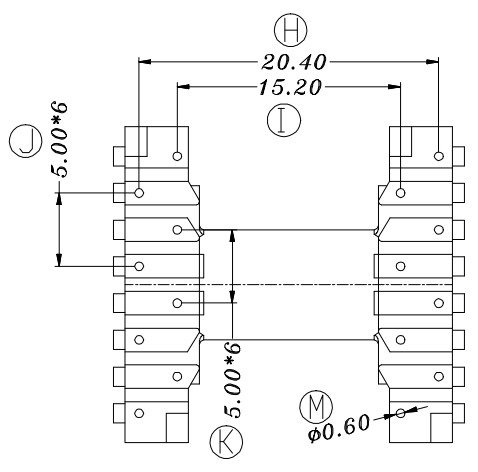
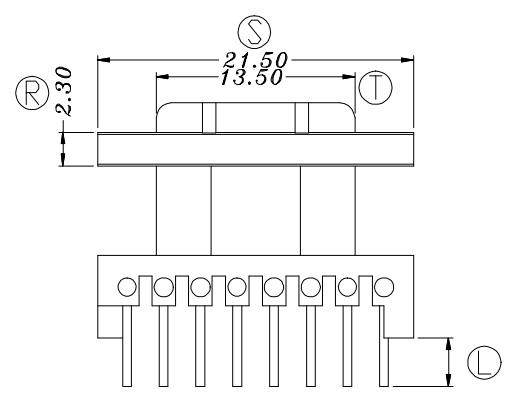
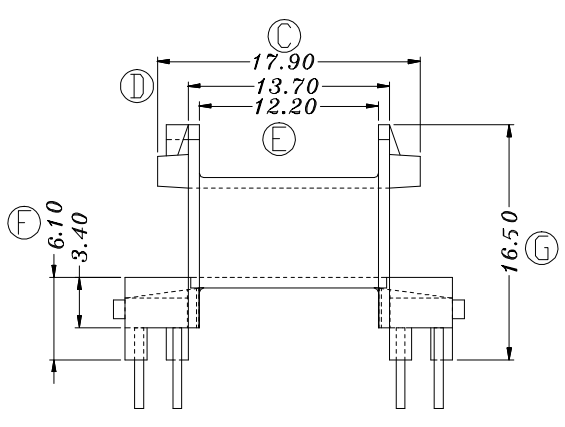


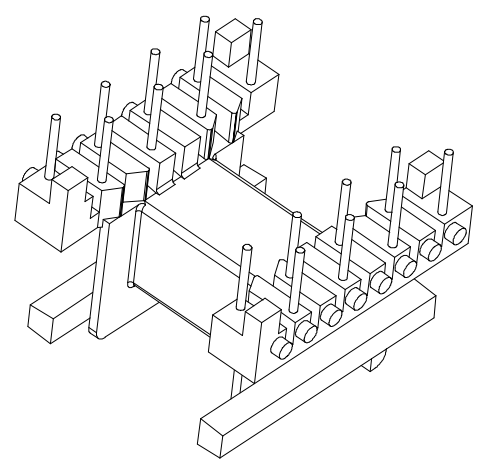
ZX-20BY



SECTION A-A



51



REV.	REVISIONS	REC.	DATE	REV.	REVISIONS	REC.	DATE
1				4			
2				5			
3				6			
DRAWN & DRAFTED BY		LIU WEI QIANG		TOLERANCES		ANGLE: $\pm 1^\circ$	
CHECKED & APPROVED BY		ZHANG YONG		$0 < L \leq 4 \pm 0.1$ $4 < L \leq 16 \pm 0.2$ $16 < L \leq 63 \pm 0.3$		pin pitch ± 0.2 UNIT: MM SCALE:	
智信电子塑胶有限公司 ZHI XIN ELECTRONICS PLASTIC CO., LTD. TEL:0769-86389901-2 FAX:0769-86389903				TITLE: EF-20(8+8P)		BOBBIN MATERIAL: PHENOLIC	
				DATE: 2018.12.08		DRAWING NO. ZX-20BY	
				PIN MATERIAL: CP WIRE		PIN TENSION LOAD: 1.0KG MIN	
				REV. A01			