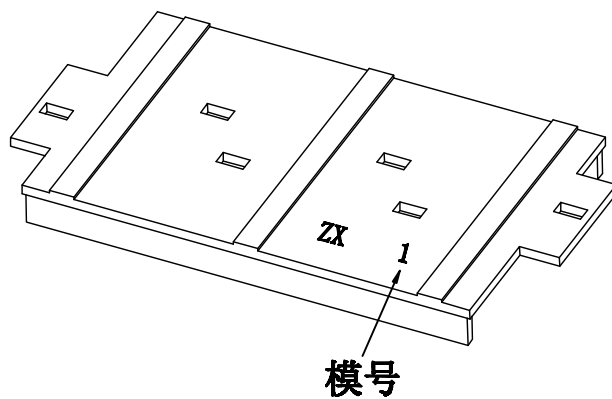
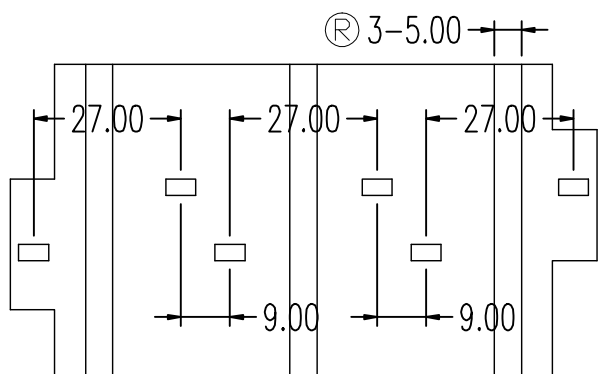
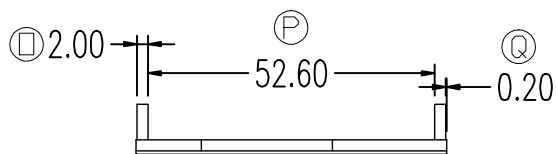
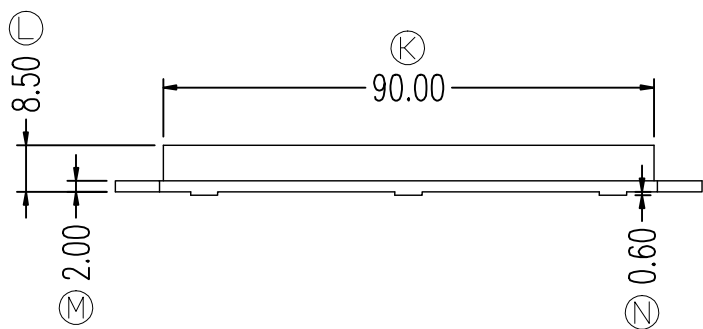
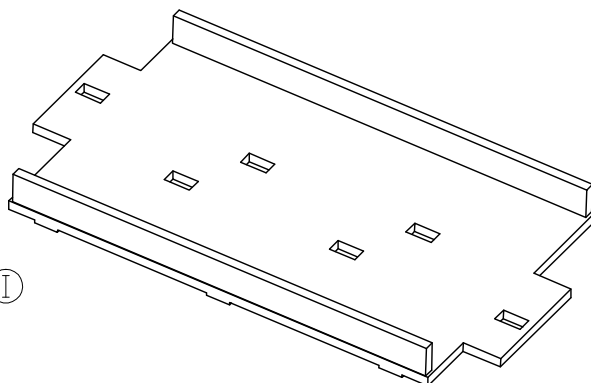
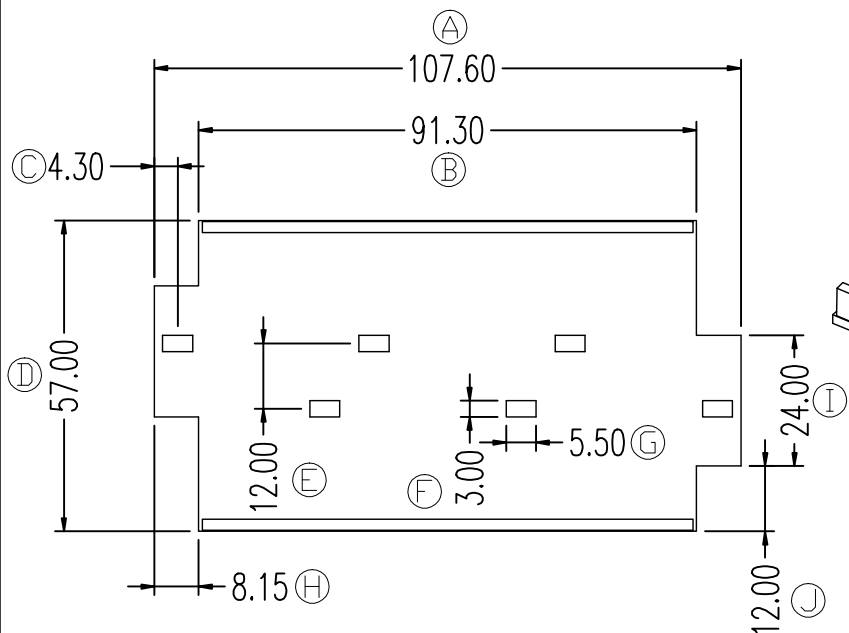


ZX-B155



REV.	REVISIONS	REC.	DATE	REV.	REVISIONS	REC.	DATE
1				4			
2				5			
3				6			
DRAWN & DRAFTED BY		LIU WEI QIANG		TOLERANCES		ANGLE: $\pm 1^\circ$	
CHECKED & APPROVED BY		LIN JUN		0 < L ≤ 4 ±0.1		TITLE: E052000511000F	
				4 < L ≤ 16 ±0.2		BOBBIN MATERIAL: FR530(BK)	
				16 < L ≤ 63 ±0.3		UL REC. UL 94V-0	
				UNIT: MM		PIN MATERIAL:	
				SCALE:		PIN TENSION LOAD:	
				DATE: 2023.06.09		DRAWING NO. ZX-B155	
						REV. A01	

ZXE 智信电子塑胶有限公司
 ZHI XIN ELECTRONICS PLASTIC CO., LTD.
 TEL:0769-86389901-2 FAX:0769-86389903