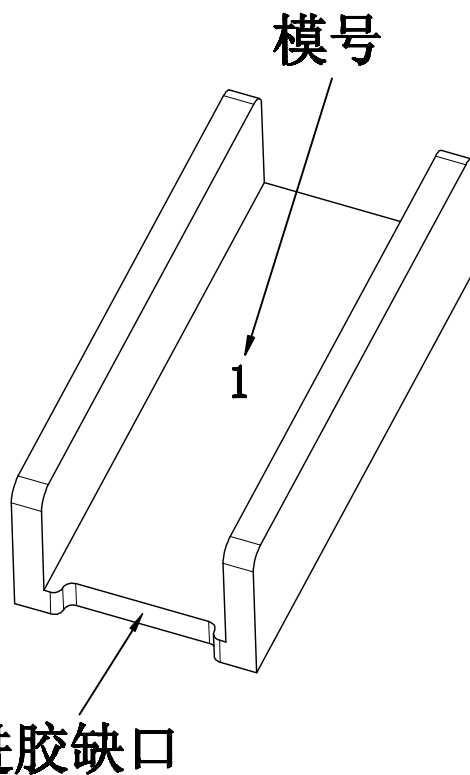
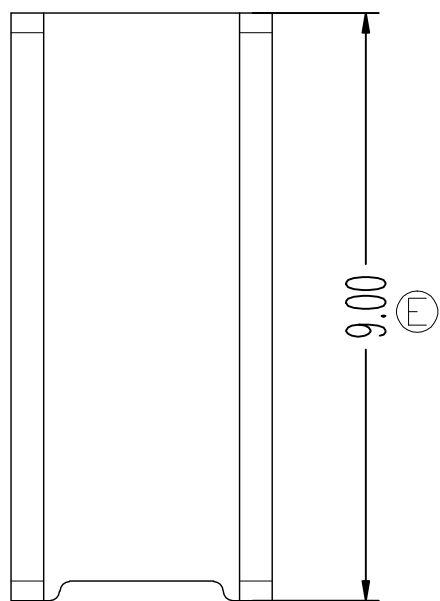
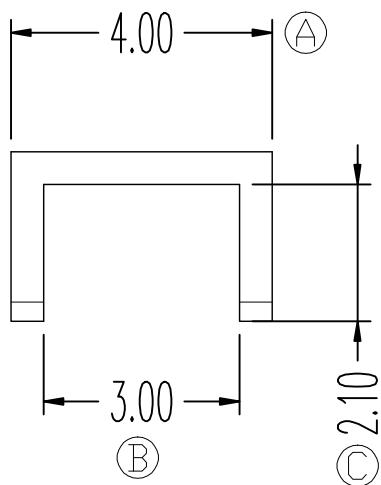


ZX-7H



对应ZX-7G

REV.	REVISIONS REC.		DATE	REV.	REVISIONS REC.		DATE		
1				4					
2				5					
3				6					
DRAWN & DRAFTED BY		LIU WEI QIANG		TOLERANCES		ANGLE: $\pm 1^\circ$		TITLE: UU-7.0(CASE)	
CHECKED & APPROVED BY		LIN JUN		0 < L ≤ 4 ±0.1 4 < L ≤ 16 ±0.2 16 < L ≤ 63 ±0.3		pin pitch ±0.2		UNIT: MM	
				SCALE:		PIN MATERIAL:		BOBBIN MATERIAL: LCP(BK)	
								UL REC. UL 94V-0	
								PIN TENSION LOAD:	
<b>智信电子塑胶有限公司</b> ZHI XIN ELECTRONICS PLASTIC CO., LTD. TEL:0769-86389901-2 FAX:0769-86389903				DATE: 2023.07.04		DRAWING NO. ZX-7H		REV. A01	