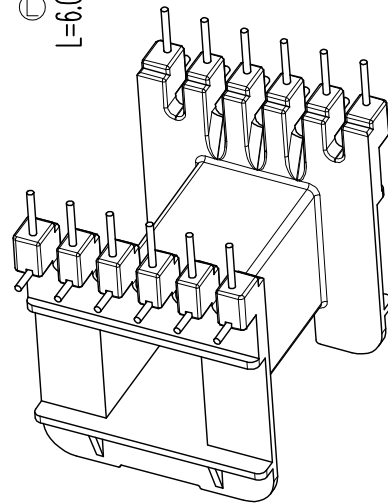
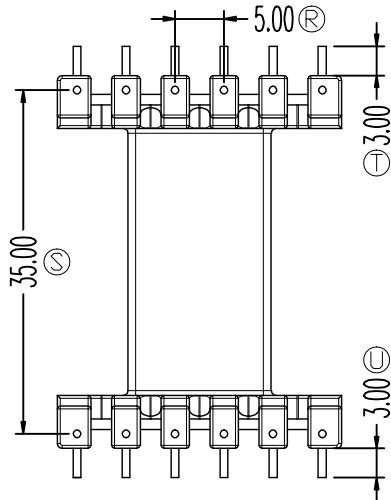
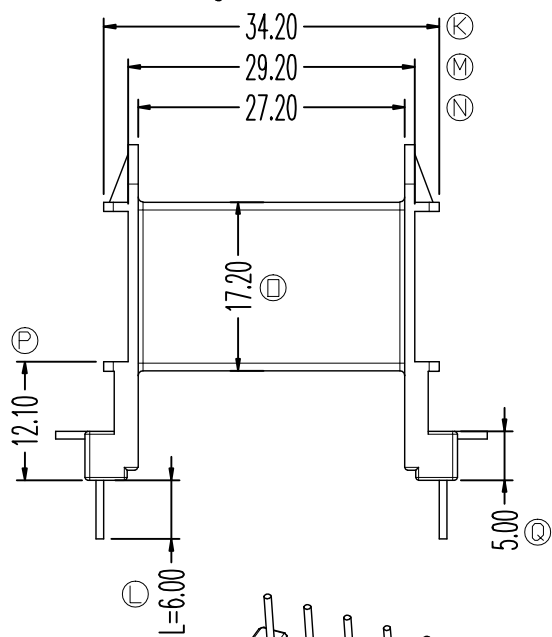
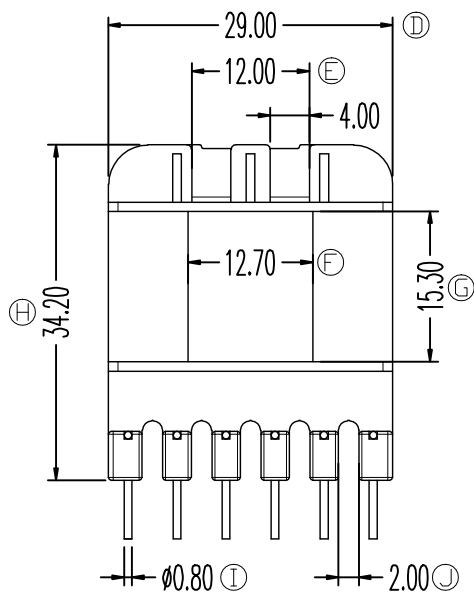
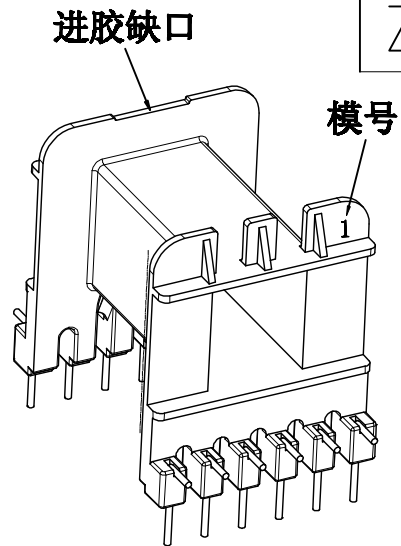
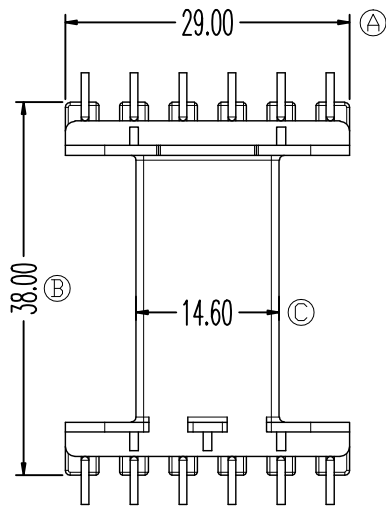


ZX-42Z



REV.	REVISIONS		REC.	DATE	REV.	REVISIONS		REC.	DATE
1					4				
2					5				
3					6				
DRAWN & DRAFTED BY	LIU WEI QIANG		TOLERANCES 0<L≤4 ±0.1 4<L≤16 ±0.2 16<L≤63 ±0.3 pin pitch ±0.2	ANGLE:	TITLE: EE-42(6+6P)				
CHECKED & APPROVED BY	LIN JUN			UNIT:	MM	BOBBIN MATERIAL:	PET FR530本色		UL REC. UL 94V-0
				SCALE:	PIN MATERIAL:	CP WIRE		PIN TENSION LOAD: 1.2KG MIN	
智信电子塑胶有限公司 ZHI XIN ELECTRONICS PLASTIC CO., LTD. TEL:0769-86389901-2 FAX:0769-86389903				DATE: 2023.07.21		DRAWING NO.		ZX-42Z	
								REV. A01	