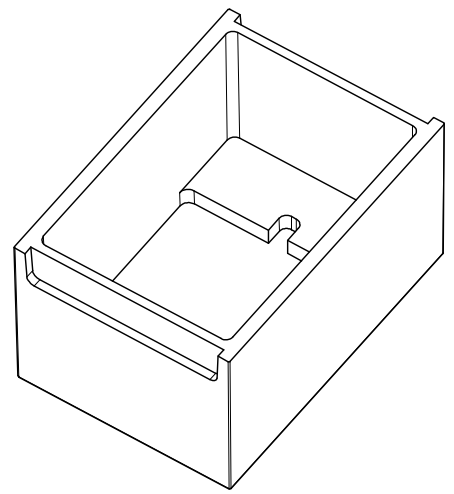
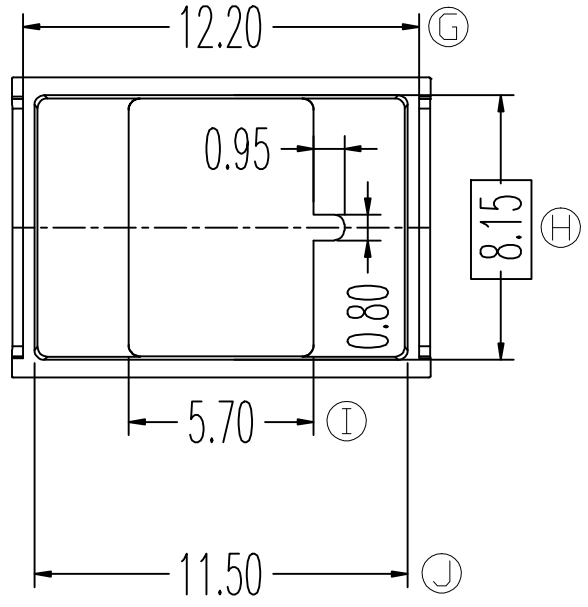
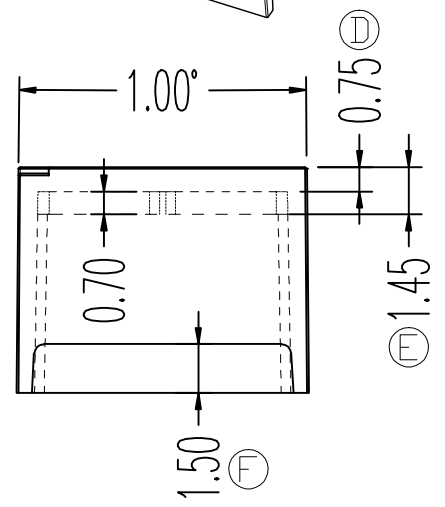
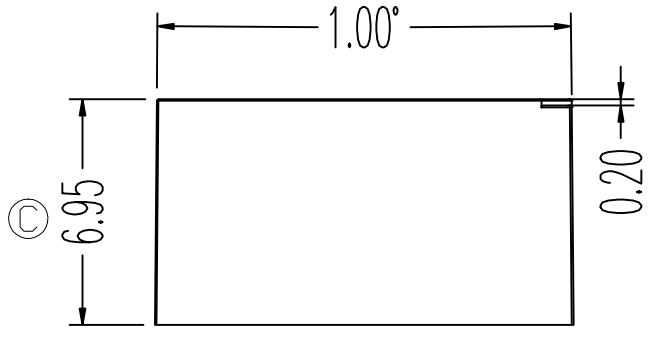
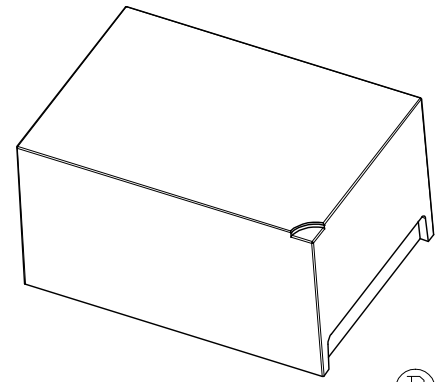
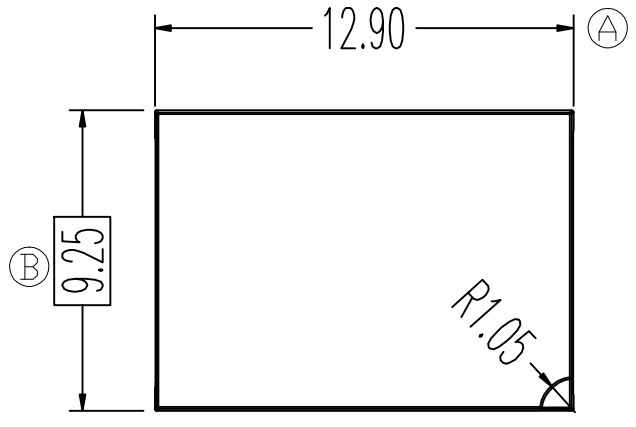


ZX-C086



REV.	REVISIONS	REC.	DATE	REV.	REVISIONS	REC.	DATE
1	Ⓑ 尺寸由9.00mm改到9.25mm		2023.07.17	4			
2	Ⓗ 尺寸由7.90mm改到8.15mm		2023.07.17	5			
3				6			
DRAWN & DRAFTED BY		LIU WEI QIANG		TOLERANCES		ANGLE: ±1°	
CHECKED & APPROVED BY		LIN JUN		0<L≤4 ±0.1		TITLE: CASE	
				4<L≤16 ±0.2		BOBBIN MATERIAL: PHENOLIC	
				16<L≤63 ±0.3		UL REC. UL 94V-0	
				pin pitch ±0.2		PIN TENSION LOAD:	
				UNIT: MM			
				SCALE:		PIN MATERIAL:	
				DATE: 2023.07.17		DRAWING NO. ZX-C086	
				REV. A02			

ZXE 智信电子塑胶有限公司
 ZHI XIN ELECTRONICS PLASTIC CO., LTD.
 TEL:0769-86389901-2 FAX:0769-86389903