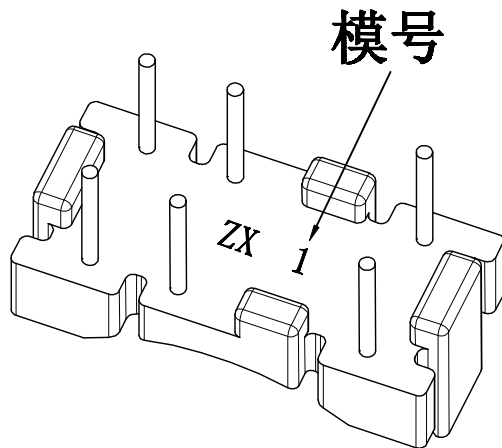
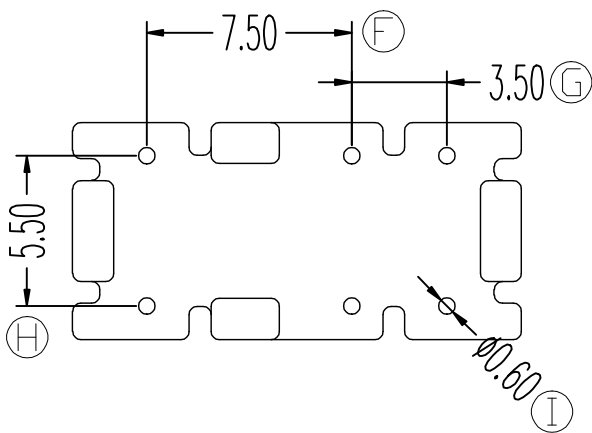
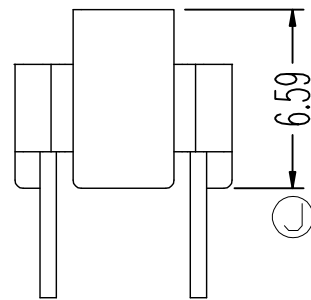
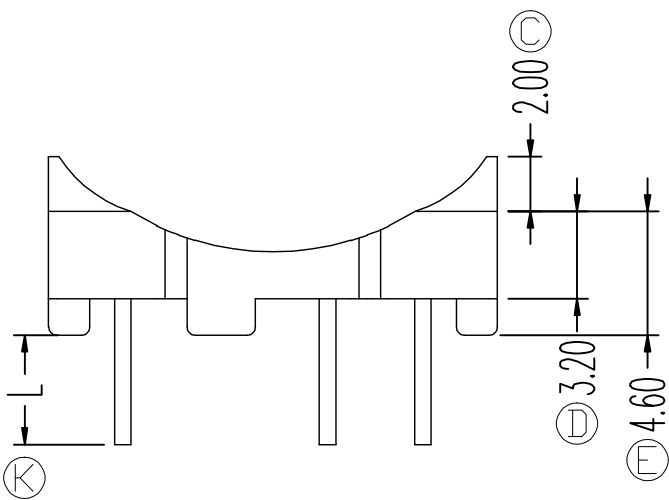
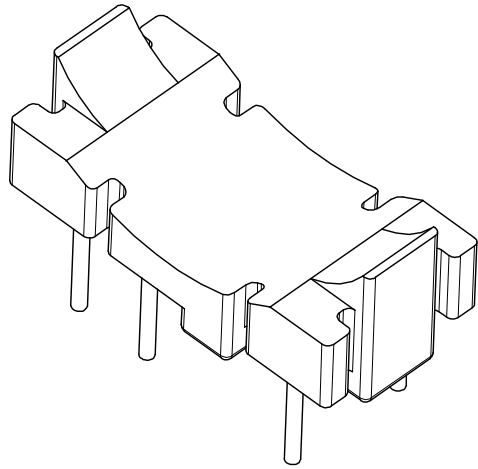
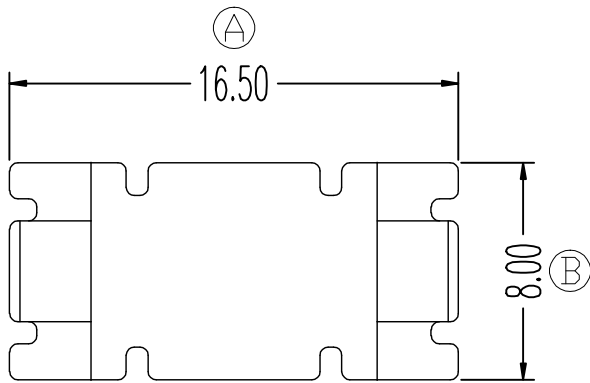


ZX-B089



REV.	REVISIONS REC.		DATE	REV.	REVISIONS REC.		DATE
1				4			
2				5			
3				6			
DRAWN & DRAFTED BY		LIU WEI QIANG	TOLERANCES		ANGLE:	TITLE: BASE(3+3P)	
CHECKED & APPROVED BY		LIN JUN	0<L≤4 ±0.1	pin pitch	±1°	BOBBIN MATERIAL: PHENOLIC	
			4<L≤16 ±0.2	±0.2	MM	UL REC. UL 94V-0	
			16<L≤63 ±0.3		SCALE:	PIN MATERIAL: CP WIRE	PIN TENSION LOAD: 0.8KG MIN
智信电子塑胶有限公司 ZHI XIN ELECTRONICS PLASTIC CO., LTD. TEL:0769-86389901-2 FAX:0769-86389903			DATE: 2018.12.08		DRAWING NO. ZX-B089		REV. A01