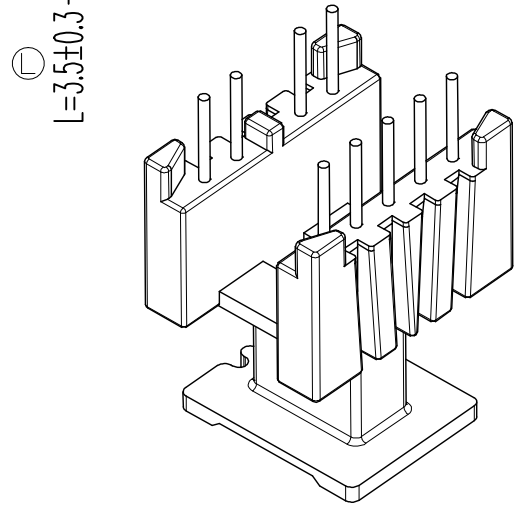
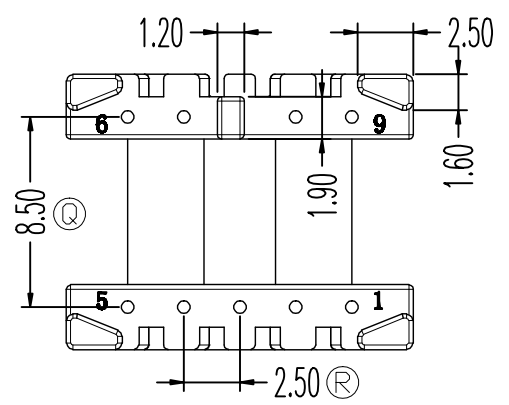
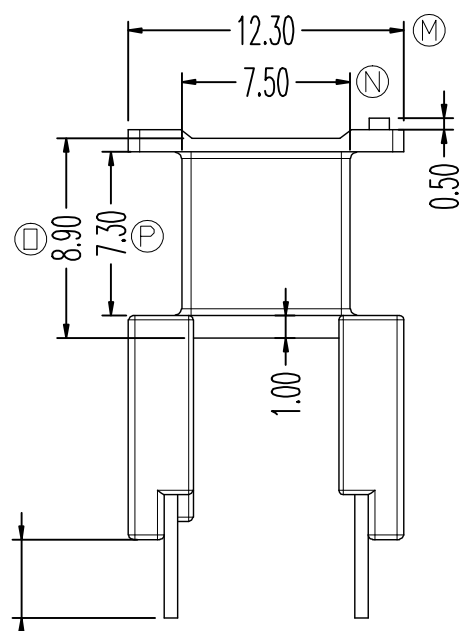
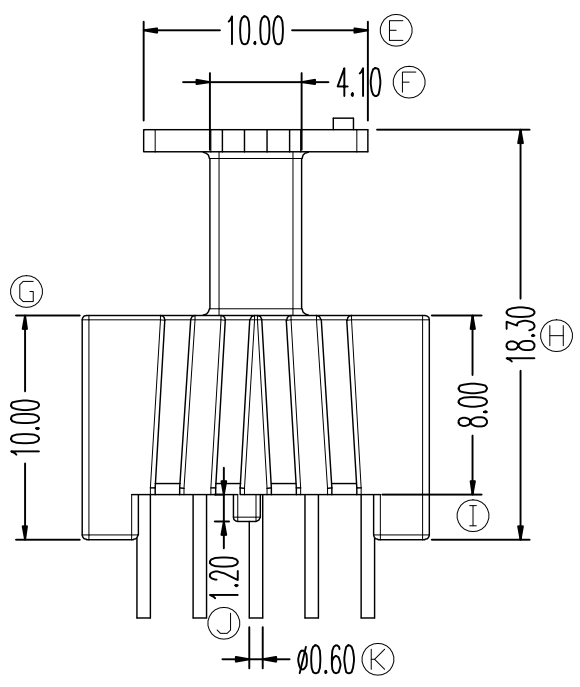
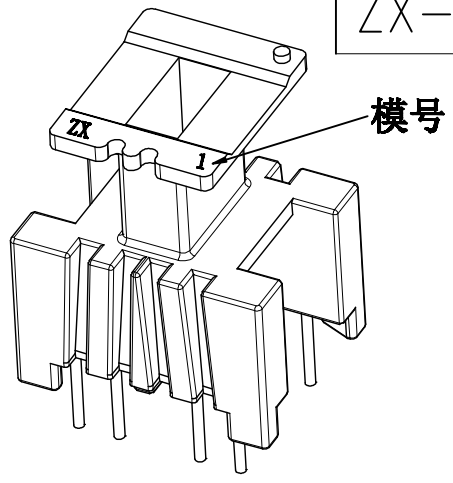
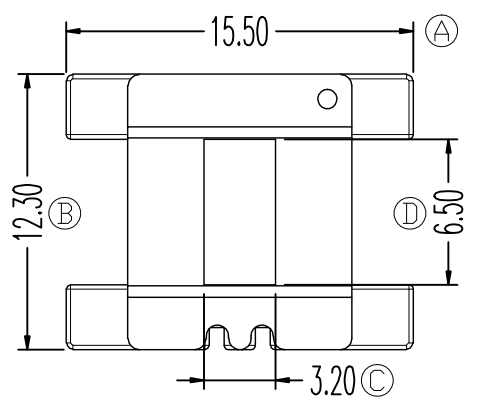


ZX-13BN



REV.	REVISIONS	REC.	DATE	REV.	REVISIONS	REC.	DATE
1				4			
2				5			
3				6			
DRAWN & DRAFTED BY		LIU WEI QIANG		TOLERANCES		ANGLE: $\pm 1^\circ$	
CHECKED & APPROVED BY		LIN JUN		0 < L ≤ 4 ±0.1		UNIT: MM	
				4 < L ≤ 16 ±0.2		TITLE: EE-13(5+4P)	
				16 < L ≤ 63 ±0.3		BOBBIN MATERIAL: PHENOLIC	
				pin pitch ±0.2		UL REC. UL 94V-0	
				SCALE:		PIN MATERIAL: CP WIRE	
				DATE: 2023.08.25		PIN TENSION LOAD: 0.8KG MIN	
				DRAWING NO. ZX-13BN		REV. A01	

ZXE 智信电子塑胶有限公司
 ZHI XIN ELECTRONICS PLASTIC CO., LTD.
 TEL: 0769-86389901-2 FAX: 0769-86389903