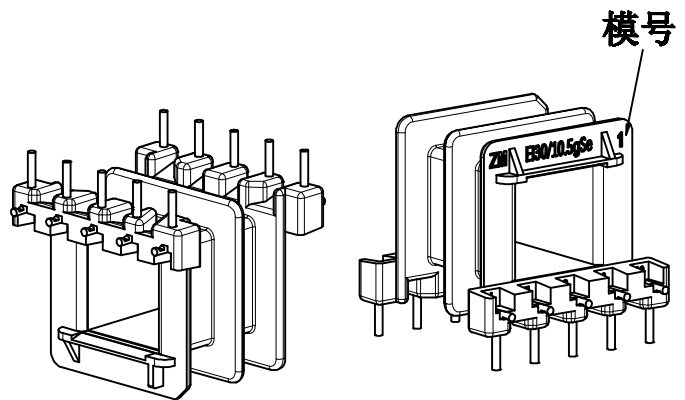
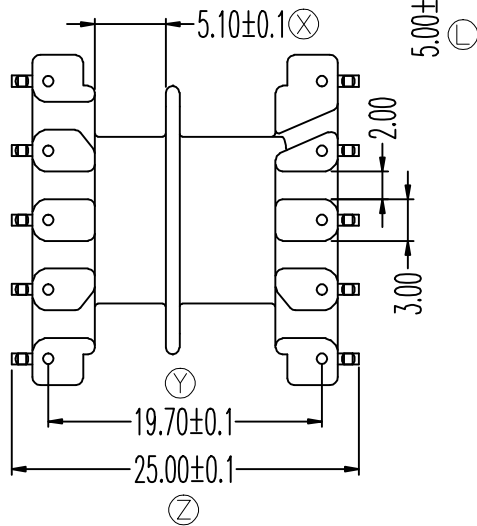
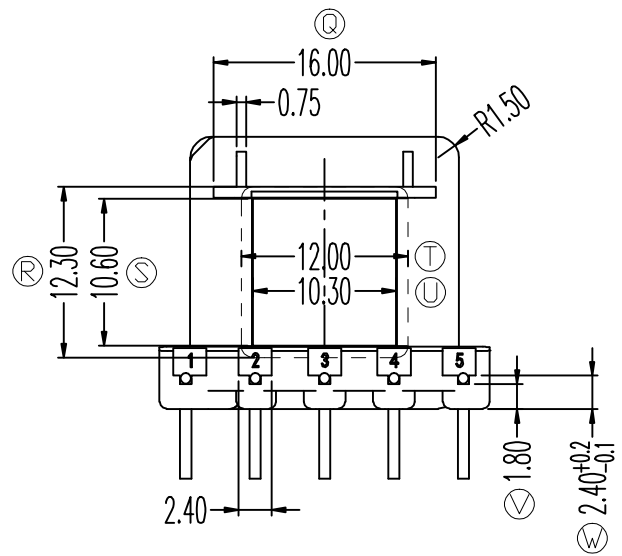
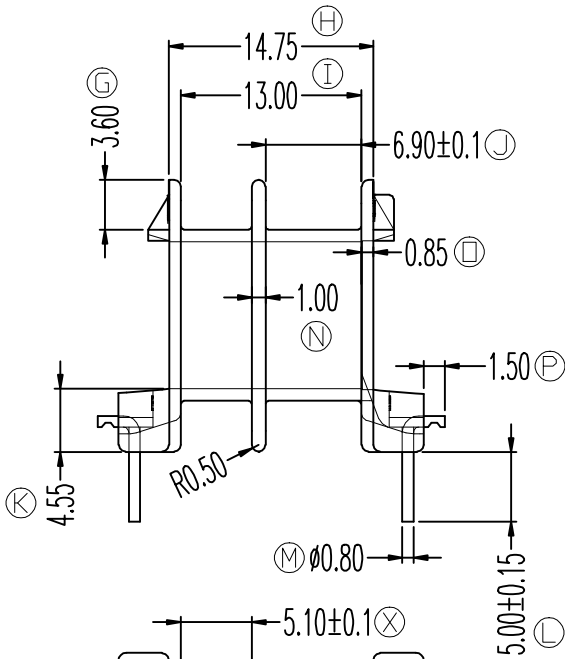
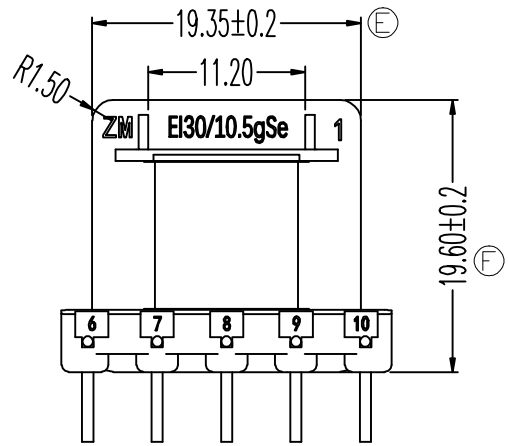
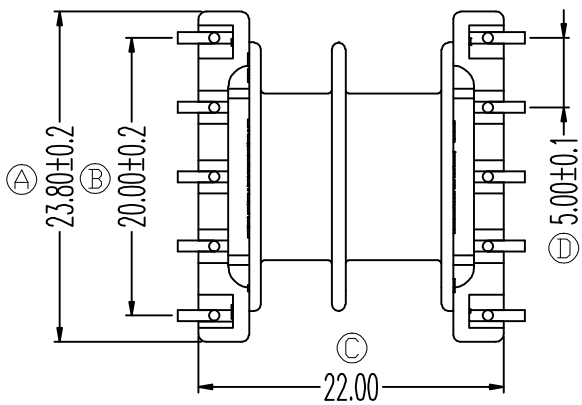


ZX-30U



对应ZX-C092

REV.	REVISIONS	REC.	DATE	REV.	REVISIONS	REC.	DATE
1				4			
2				5			
3				6			
DRAWN & DRAFTED BY		LIU WEI QIANG		TOLERANCES		ANGLE: ±1°	
CHECKED & APPROVED BY		LIN JUN		0 < L ≤ 4 ±0.1		TITLE: EI30X10.5 (5+5P)	
				4 < L ≤ 16 ±0.2		BOBBIN MATERIAL: A3X2G5(NC)	
				16 < L ≤ 63 ±0.3		UL REC. UL 94V-0	
				UNIT: MM		PIN MATERIAL: CP WIRE	
				SCALE:		PIN TENSION LOAD: 1.5KG MIN	
				DATE: 2023.05.19		DRAWING NO. ZX-30U	
				REV. A01			