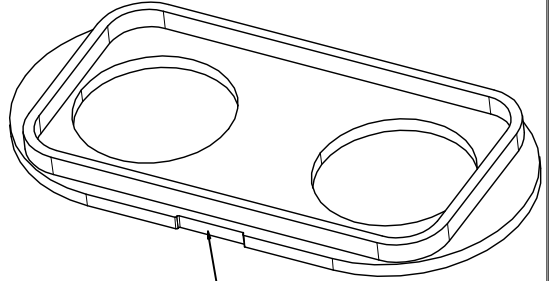
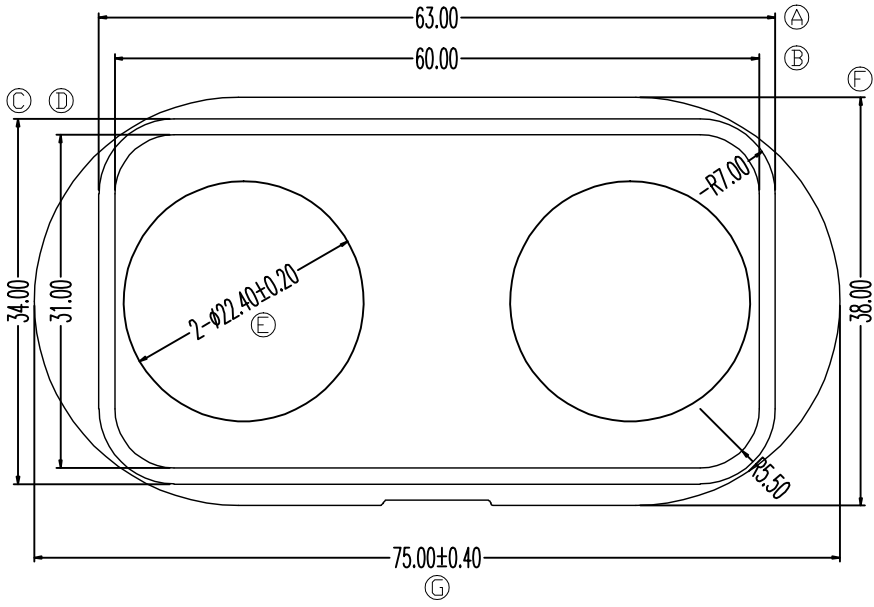
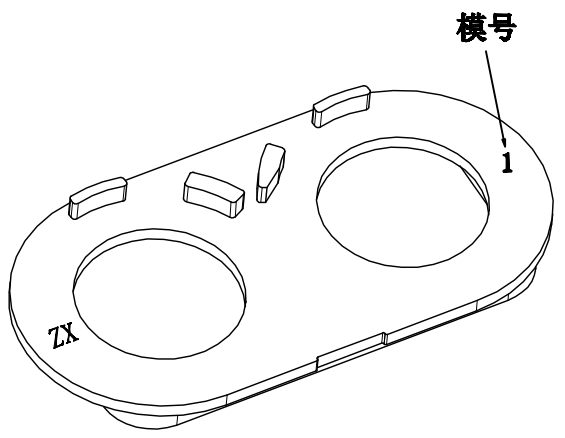
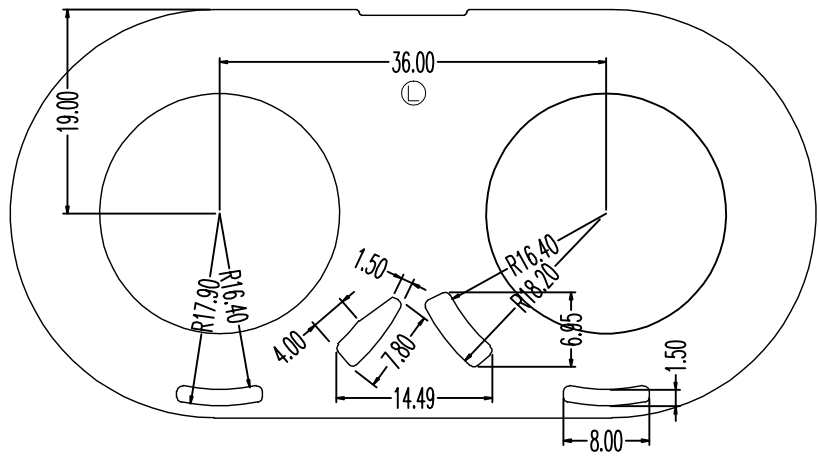
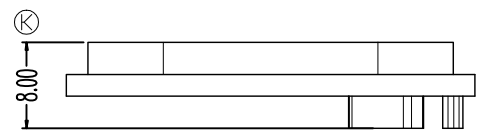
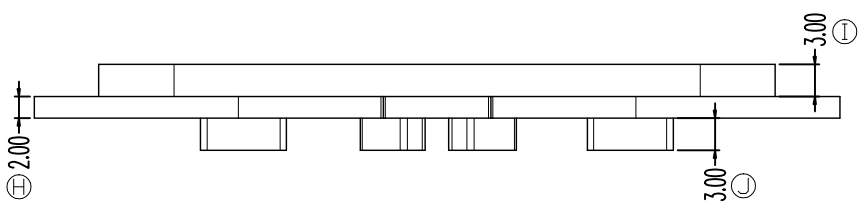


ZX-B165



进胶缺口



平贴度0.50mm MAX

检测序号12个: A-L

REV.	REVISIONS REC.		DATE	REV.	REVISIONS REC.		DATE
1				4			
2				5			
3				6			
DRAWN & DRAFTED BY	LIU WEI QIANG		TOLERANCES	ANGLE:	TITLE: BOBBIN 796		
CHECKED & APPROVED BY	LIN JUN		0<L≤4 ±0.1 4<L≤16 ±0.2 16<L≤63 ±0.3	pin pitch ±0.2	UNIT:	BOBBIN MATERIAL: FR530黑色(国产)	UL REC. UL 94V-0
智信电子塑胶有限公司				SCALE:	PIN MATERIAL:	PIN TENSION LOAD:	
ZXE ZHI XIN ELECTRONICS PLASTIC CO., LTD.				DATE: 2023.08.17	DRAWING NO. ZX-B165	REV. A01	
TEL:0769-86389901-2 FAX:0769-86389903							