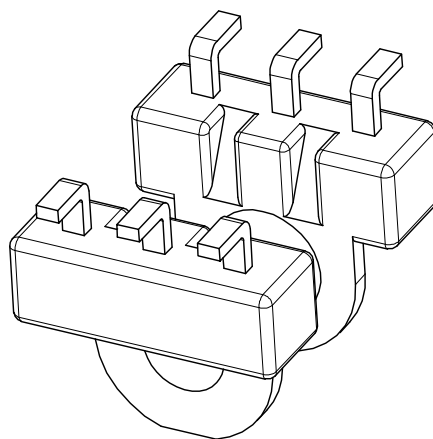
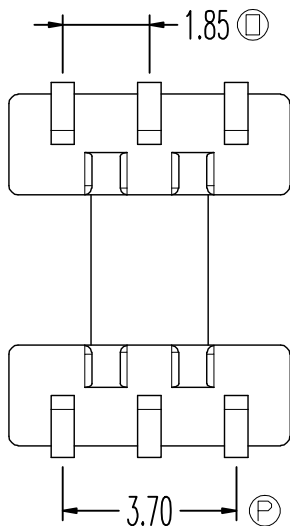
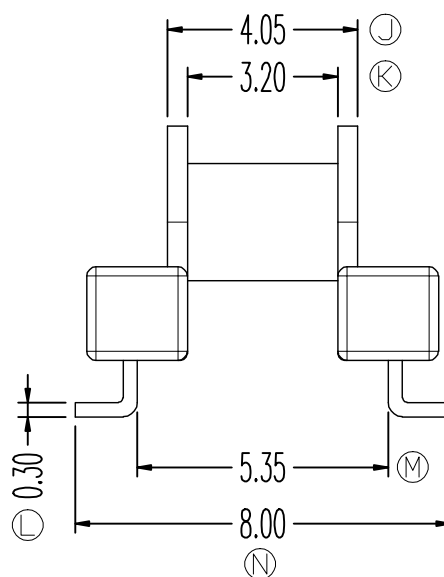
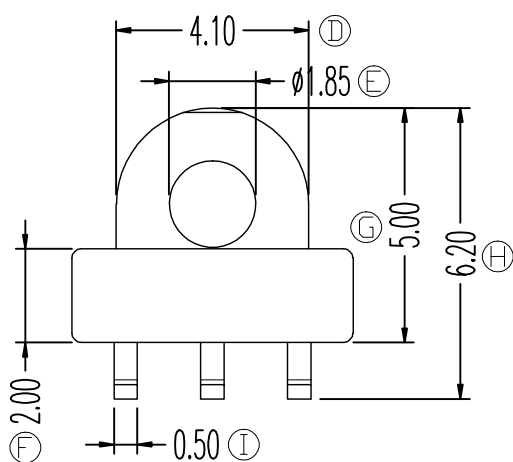
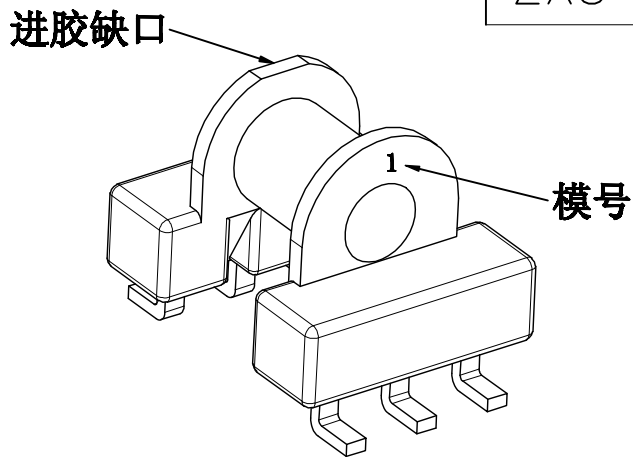
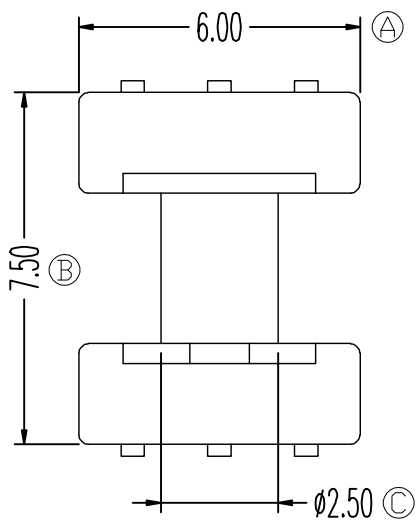


ZXS-6G



引脚平整度0.15mm MAX

REV.	REVISIONS REC.		DATE	REV.	REVISIONS REC.		DATE
1				4			
2				5			
3				6			
DRAWN & DRAFTED BY	LIU WEI QIANG	TOLERANCES		ANGLE:	TITLE: EP-6(3+3P)		
CHECKED & APPROVED BY	LIN JUN	0<L≤4 ±0.1	pin pitch	±1°	BOBBIN MATERIAL:	PHENOLIC	UL REC. UL 94V-0
		4<L≤16 ±0.2	±0.2	UNIT:	MM	PIN MATERIAL:	C5191
		16<L≤63 ±0.3		SCALE:		PIN TENSION LOAD:	0.8KG MIN
智信电子塑胶有限公司 ZHI XIN ELECTRONICS PLASTIC CO., LTD. TEL:0769-86389901-2 FAX:0769-86389903				DATE:	2023.09.15	DRAWING NO.	ZXS-6G
						REV.	A01