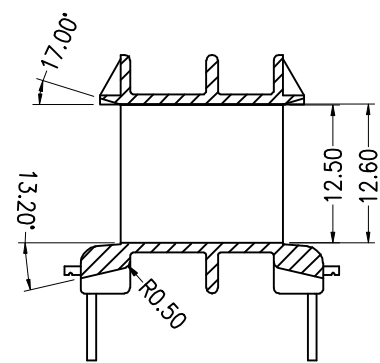
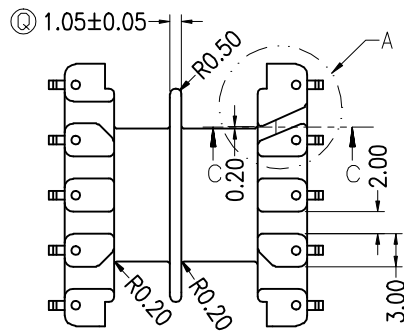
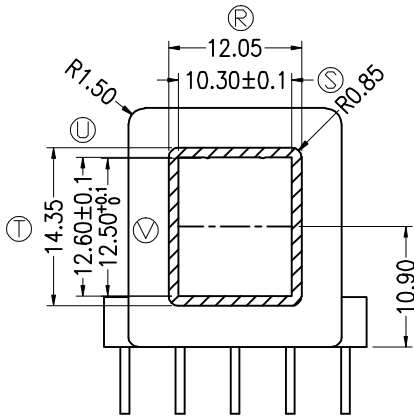
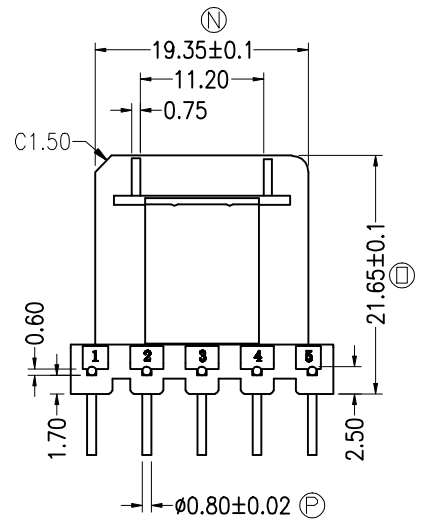
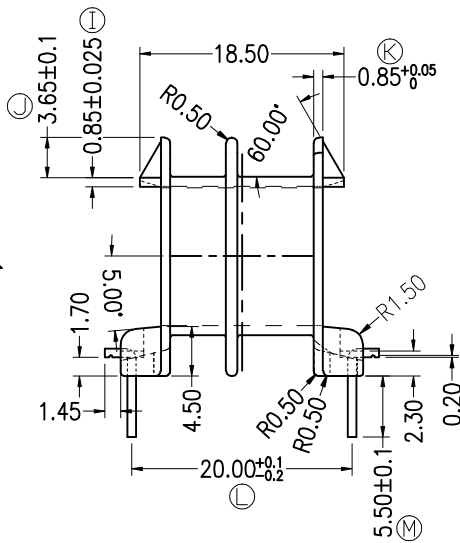
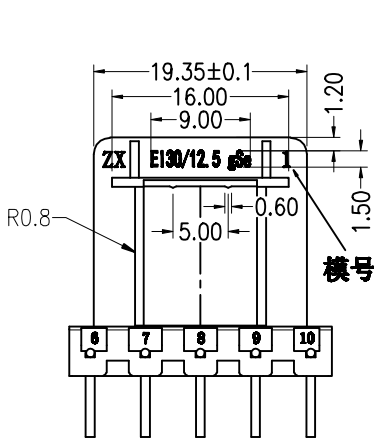
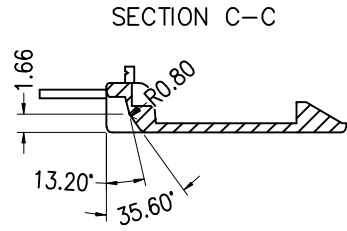
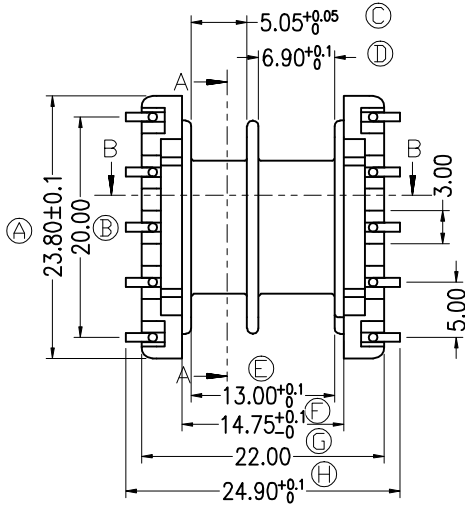
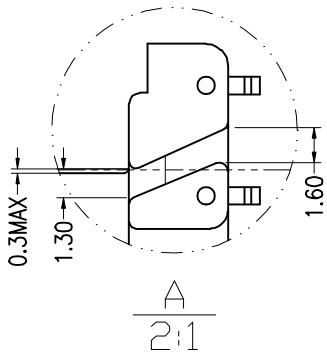


ZX-30V



SECTION A-A

对应ZX-C095

SECTION B-B

REV.	REVISIONS	REC.	DATE	REV.	REVISIONS	REC.	DATE
1				4			
2				5			
3				6			
DRAWN & DRAFTED BY		LIU WEI QIANG		TITLE:		EI-30X12.5 BOBBIN	
CHECKED & APPROVED BY		LIN JUN		BOBBIN MATERIAL:		PA66 A3X2G5(本色)	
		TOLERANCES		UNIT:		UL REC.	
		0<L≤4 ±0.1		MM		UL 94V-0	
		4<L≤16 ±0.2		SCALE:		PIN TENSION LOAD:	
		16<L≤63 ±0.3				1.5KG MIN	
智信电子塑胶有限公司		ZHI XIN ELECTRONICS PLASTIC CO., LTD.		DATE:		DRAWING NO.	
TEL:0769-86389901-2		FAX:0769-86389903		2024.03.13		ZX-30V	
						REV. A01	